

**STRAIGHT TYPE SDNR
GLOBE VALVE 150Lb
DÜZ TİP KUMANDALI
ÇEK VALF 150Lb**

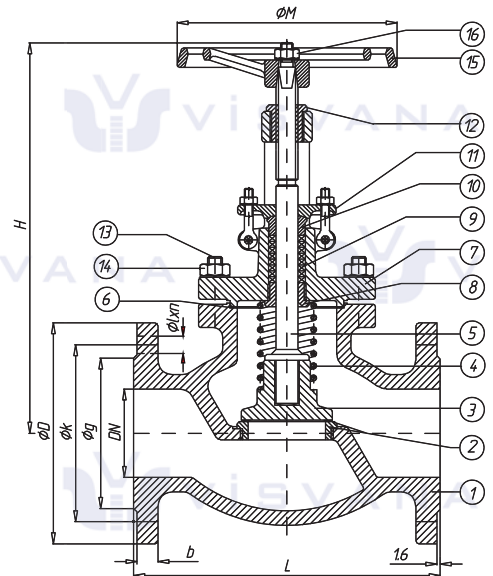
VKC-C150 

Conical disc, bolted, bonnet (BB)/Konik klapeli,
civatalı kapak(BB)
Check Valves (SDNR) - Flanged(FLGD) / Flans
Bağlantılı Class 150 - Rising Stem and Handwheel (RS) /
Yükselen Milli Volanlı (RSH)
TEST API 598 - Outside screw and yoke
(OSY) / Dıştan Vidalı Boyunduruklu (OSY)
ANSI B16,10 - Bolted Gand (BG) /
Civatalı Glendli (BG)
ANSI B16,5/Flange- Flans

NO	PART NAME	PARÇA ADI	MATERIAL / MALZEME
1	Body	Gövde	ASTM A126 / A536 / A216 WCB / B62 / CuSn10 / CF8 / CF8M
2	Body Seat	Gövde Siti	ASTM B62/ 13Cr / AISI 304 / AISI 316 / CuSn10
3	Disc	Disk	ASTM B62/ 13Cr / AISI 304 / AISI 316 / CuSn10
4	Spring	Yay	AISI 302
5	Stem	Mil	Brass / 13Cr / AISI 304 / AISI 316 / CuSn8
6	Gasket	Conta	Klingerite/ Graphite
7	Bonnet	Kapak	ASTM A126 / A536 / A216 WCB / B62 / CuSn10 / CF8 / CF8M
8	Back Seat	Geri Sit	Bronze / SS420 / SS304 / SS316
9	Packing	Salmastra	Graphite
10	Packing Nut	Salmastra Somunu	A536 / A216 WCB / B62 / CuSn10 / CF8 / CF8M
11	Gland Flange	Salmastra Flanşı	A536 / A216 WCB / B62 / CuSn10 / CF8 / CF8M
12	Stem Bushing	Mil Yatağı	A536 / A216 WCB / B62 / CuSn10 / CF8 / CF8M
13	Stud	Saplama	Steel / A2 / A4
14	Nut	Somun	Steel / A2 / A4
15	Handwheel	Volan	Cast Iron
16	Handwheel Nut	Volan Somunu	Galvanized Steel

Note : Totally stainless steel or bronze discs are optional in 3" and bigger sizes.
Not:Komple paslanmaz veya bronz diskler 3" ve daha büyük ölçülerde opsiyoneldir.

DN		Valve Dimensions Vana Boyutları ANSI B16,10			Flange Dimensions Flans Ölçüleri ANSI B16,1					Diameter Ağırlık kg
mm	Inch	L	H	ØM	ØD	Øk	Øg	b	ØIxn	
15	1/2"	108	185		89	60,5	35	10		4
20	3/4"	117	205	100	99	70	43	10,5		4,5
25	1"	127	210		108	79,2	51	11,5	Ø16x4	5,5
32	1 1/4"	140	220	140	117	89	64	13		8,5
40	1 1/2"	165	240		127	98,6	73	14		12
50	2"	203	330	200	152,5	120,7	92	16		18
65	2 1/2"	216	360		178	139,7	105	17,5	Ø19x4	23
80	3"	241	375	250	190,5	152,4	127	19		35
100	4"	292	435		229	190,5	157	24	Ø19x8	45
125	5"	355,6	485	350	254	216	185,7	24		70
150	6"	406,4	530		279,5	241,3	216	25,5		86
200	8"	495	615	450	343	298,5	270	28,5	Ø22x8	130
250	10"	622	770		406,5	362	324	30,2		205
300	12"	698,5	880	500	483	431,8	381	32	Ø25,5x12	325
350	14"	787	1100	650	533	476	413	35	Ø29x12	650
400	16"	914	1220		597	539,5	470	36,6	Ø29x16	1050



11