

**GATE VALVE WITH
STUFFING BOX & INDICATOR**
SÜRGÜLÜ VANA
(BASKI YUVALI VE GÖSTERGELİ)

VSG-C150 
vis

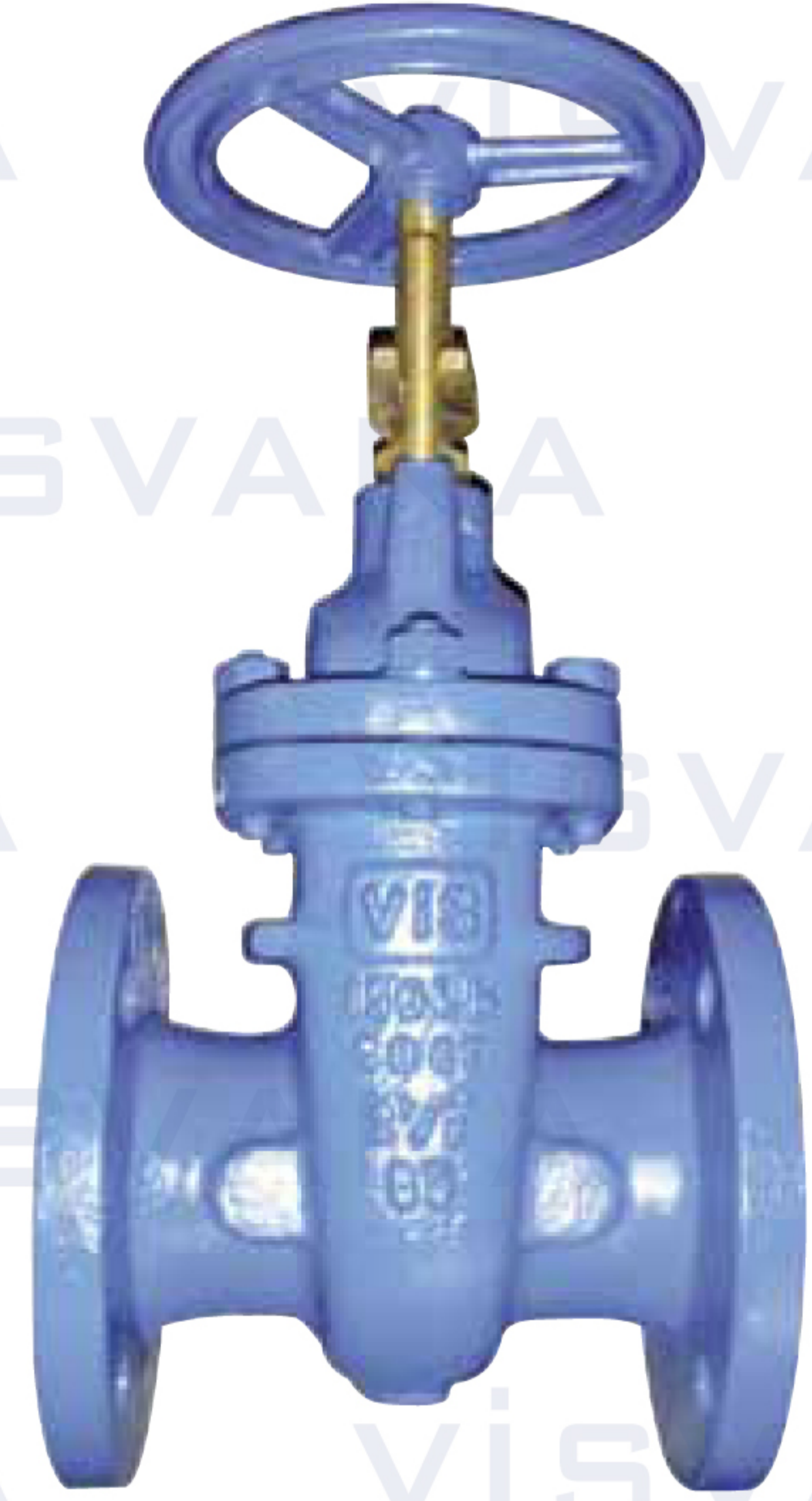
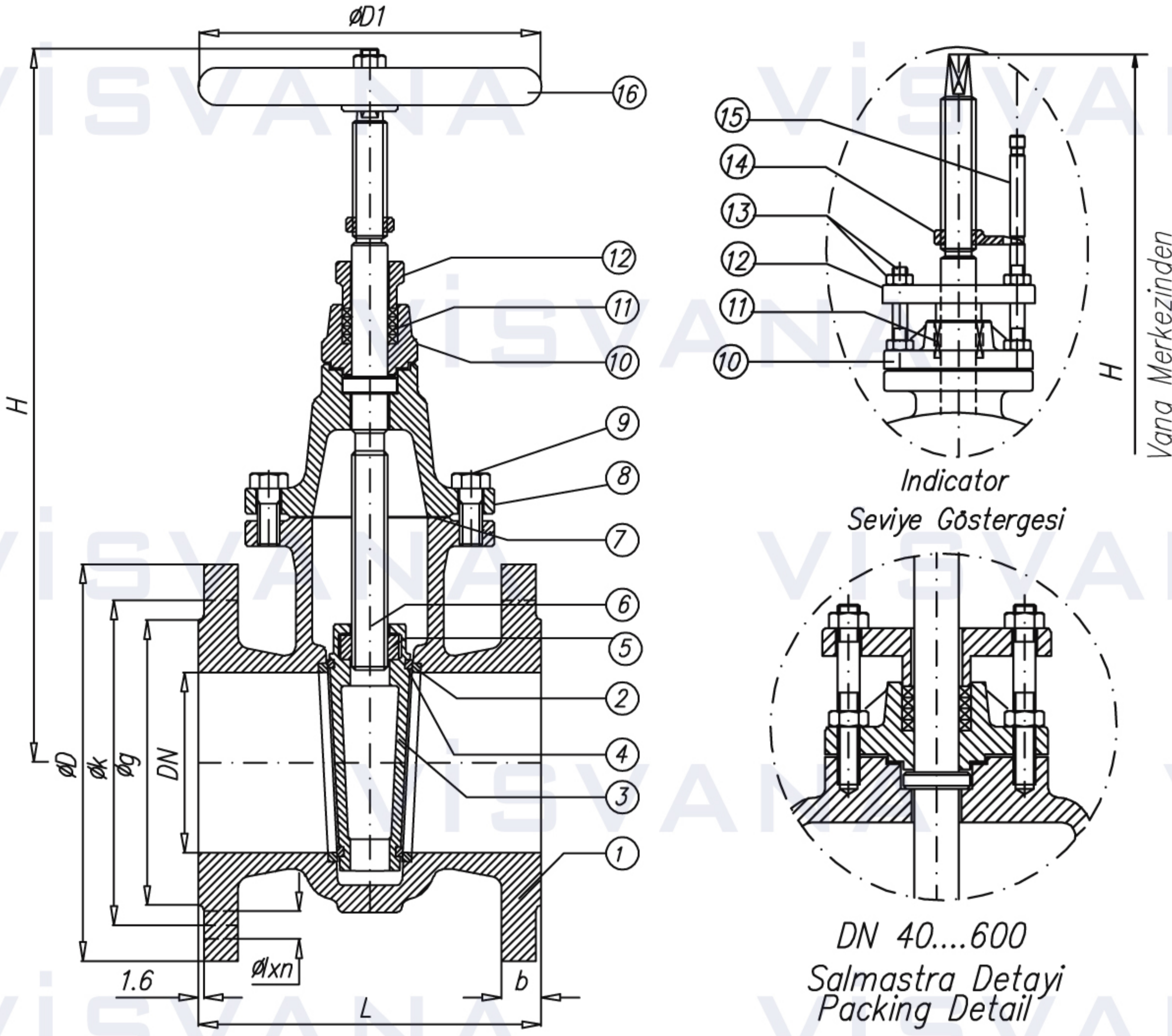
ASME B 16,10

Size Range / Ölçü Aralığı: DN40-DN600

Flange Ends / Flanş: ASME B 16,5 RF

Test: API 598

1



NO	P. NAME	P. ADI	MATERIAL / MALZEME	NO	PART NAME	PARÇA ADI	MATERIAL / MALZEME
1	Body	Gövde	ASTM A125/A536/A216 WCB/B62/CuSn10/CF8/CF8M	9	Bolt	Civata	Steel / A2 / A4
2	Body Seat	Gövde Siti	ASTM B62 / 13 Cr / AISI 304 / AISI 316 / CuSn10	10	Stuffing Box	Salmastra Yuvası	ASTM A125/A536/A216 WCB/B62/CuSn10/CF8/CF8M
3	Wedge	Sürgü	ASTM A125/A536/A216 WCB/B62/CuSn10/CF8/CF8M	11	Packing	Salmastra	% 100 Graphite
4	Wedge Ring	Sürgü Burcu	ASTM B62 / 13 Cr / AISI 304 / AISI 316 / CuSn10	12	Gland	Baskı	A536 / A216 WCB / B62 / CuSn 10 / CF8 / CF8M
5	Wedge Nut	Sürgü Somunu	ASTM B62	13	Stud, Nut	Saplama, Somun	Steel / A2 / A4
6	Stem	Mil	CuZn45Ni / SS420 / SS304 / SS316	14	Indicator	Gösterge	Bronze
7	Gasket	Conta	Klingerite / Graphite	15	Indicator Pin	Gösterge Pimi	SS420
8	Bonnet	Kapak	ASTM A125/A536/A216 WCB/B62/CuSn10/CF8/CF8M	16	Handwheel	Volan	Galvanized Steel

Nominal Pressure / Basıncı Nominal Diameter / Anma Çapı	PN	CLASS 150													
	DN	40	50	65	80	100	125	150	200	250	300	350	400	500	600
Valve Dimensions / Vana Boyutları ASME B 16,10	L	165	178	191	203	229	254	267	292	330	356	381	406	457	508
	H	195	235	260	280	310	400	435	560	650	780	860	930	1120	1320
	D1	160			200			250			315			400	
Flange Dimensions / Flanş Ölçüleri ASME B 16,5 RF CLASS 150	D	127	152	178	191	229	254	279	343	406	483	533	597	699	813
	k	98,5	121	140	152	191	216	241	298	362	432	476	540	635	749
	g	73	92	105	127	157	186	216	270	324	381	413	470	584	692
	Øxn	16x4		19x4		19x8		22x8			25x12		29x12	29x16	32x20
Weight / Ağırlık	kg	13	15	19	22	30	45	55	95	140	200	250	250	560	700