

ANGLE TYPE 30° OBLIQUE TYPE

FIRE VALVE

KÖŞE TİP YANGIN HİDRANTI KÖŞE 30°

VKYO-16



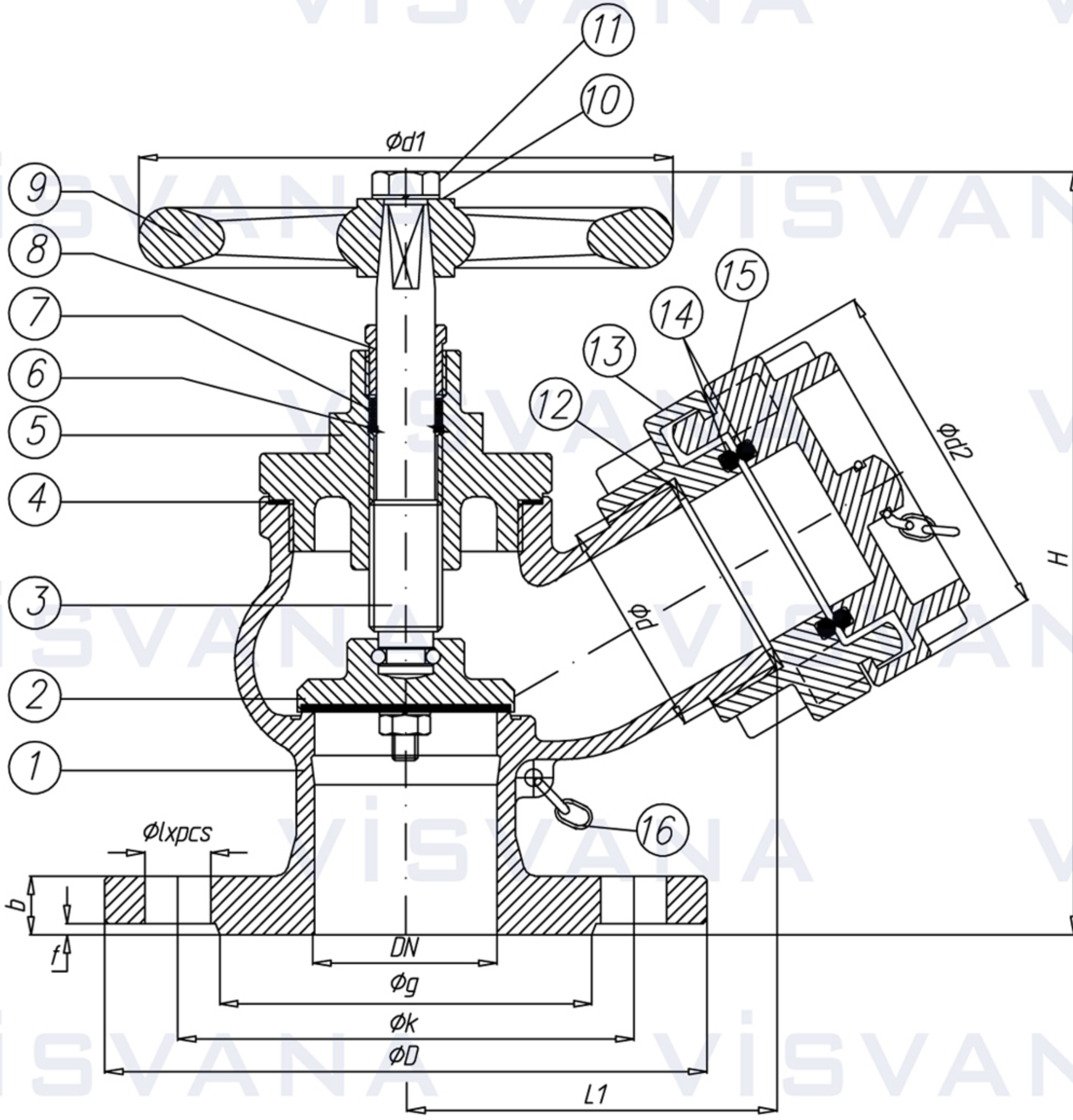
Pressure / Anma Basıncı: PN 10 -16

Size Range / Ölçü Aralığı: DN40-DN50-DN65

Dimensions / Ölçüler: DIN 86211

Flange Ends / Flanş: DIN EN 1092

Options / Opsiyon: ANSI, JIS Flanges



NO	PART NAME	PARÇA ADI	MATERIAL / MALZEME	NO	PART NAME	PARÇA ADI	MATERIAL / MALZEME
1	Body	Gövde	Rg-5/Rg-10/G-CuSn10	9	Handwheel	Volan	GG-25
2	Disc	Klape	Rg-5/Rg-10/G-CuSn10	10	Washer	Rondela	Steel 5 Zn
3	Stem	Mil	Ms-58/Ms-59	11	Bolt	Civata	Steel 5 Zn
4	Gasket	Conta	NBR	12	Gasket	Conta	NBR
5	Bonnet	Kapak	Rg-5/Rg-10/G-CuSn10	13	Fixed Coupling	Sabit Kaplin	Rg-5/Rg-10/G-CuSn10
6	Washer	Rodela	Ms-58	14	O-Ring	O-Ring	NBR
7	Packing	Salmastra	Graphite+ PTFE	15	Blind Coupling	Tapa Kaplin	Rg-5/Rg-10/G-CuSn10
8	Gland	Baskı	Ms-58	16	Chain	Zincir	Steel 5 Zn

Nominal Diameter Anma Çapı	PN 16 / DIN EN 1092						Valve Dimensions Vana Boyutları				Weight(kg) Ağırlık(kg)		
	ØD	Øk	Øg	Øxad	Øb	f	Ød	Ød2	L1	Ød1	H	Without Coupling	With Coupling
DN 40	150	110	88		14		R11/2"	96	80	100	185	3,5	5,5
DN 50	165	125	102	Ø18x4	16	3	R2"	96	90		195	4,5	7
DN 65	185	145	122				R21/2"	124	105	120	230	6,0	11