

Pressure / Anma Basıncı: PN 10 -16

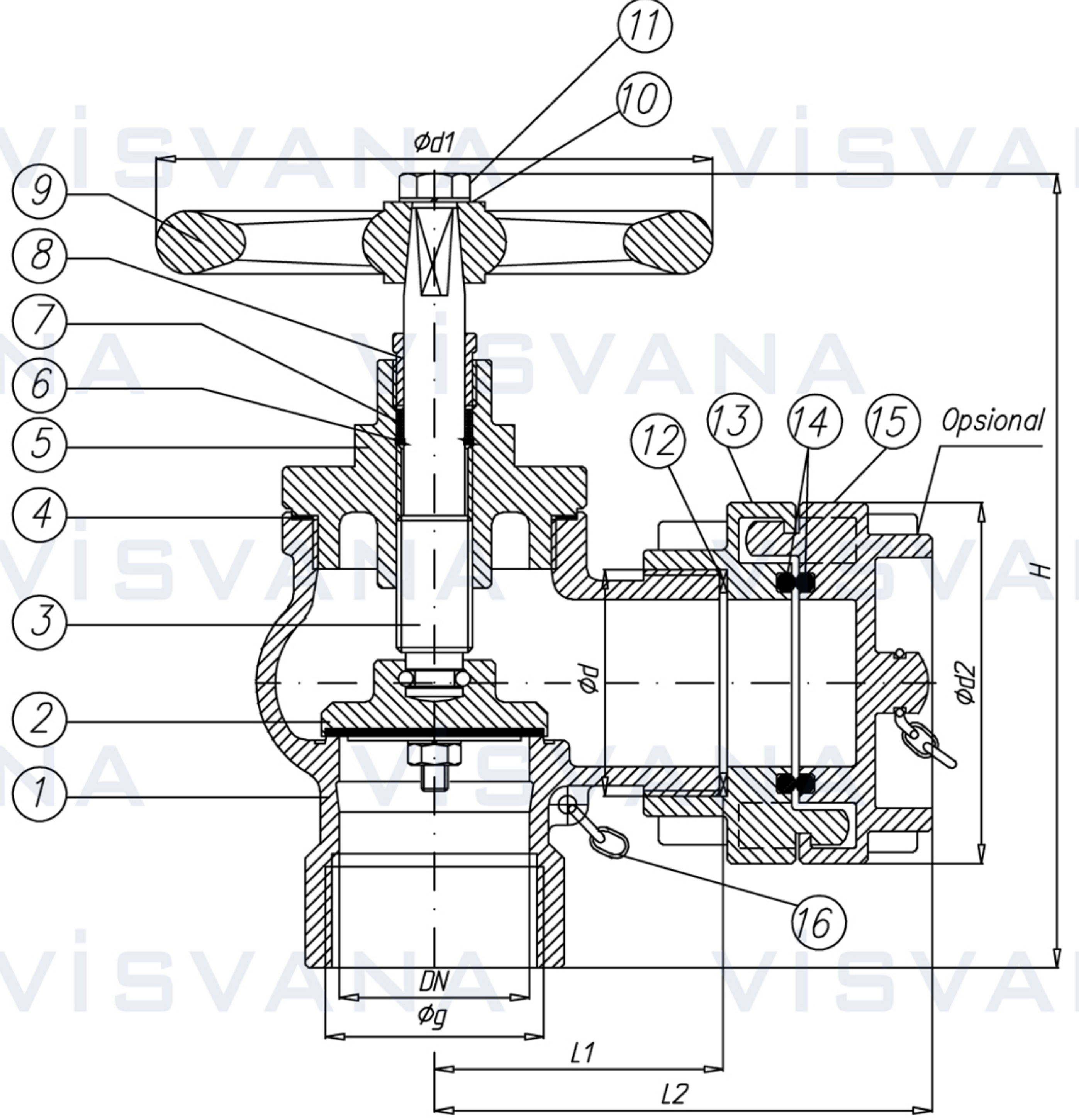
Size Range / Ölçü Aralığı: DN40-DN50-DN65

Dimensions / Ölçüler: DIN 86211

Flange Ends / Flans: DIN EN 10226-1(Threaded)

BSB Female Inlet / BSB İç Dişli Giriş

BSB Male Outlet / BSB Dış Dişli Çıkış



NO	PART NAME	PARÇA ADI	MATERIAL / MALZEME	NO	PART NAME	PARÇA ADI	MATERIAL / MALZEME
1	Body	Gövde	Rg-5/Rg-10/G-CuSn10	9	Handwheel	Volan	GG-25
2	Disc	Klape	Rg-5/Rg-10/G-CuSn10	10	Washer	Rondela	Steel 5 Zn
3	Stem	Mil	Ms-58/Ms-59	11	Bolt	Civata	Steel 5 Zn
4	Gasket	Conta	NBR	12	Gasket	Conta	NBR
5	Bonnet	Kapak	Rg-5/Rg-10/G-CuSn10	13	Fixed Coupling	Sabit Kaplin	Rg-5/Rg-10/G-CuSn10
6	Wasaher	Rodela	Ms-58	14	O-Ring	O-Ring	NBR
7	Packing	Salmastra	Graphite + PTFE	15	Blind Coupling	Tapa Kaplin	Rg-5/Rg-10/G-CuSn10
8	Gland	Baskı	Ms-58	16	Chain	Zincir	Steel 5 Zn

Nominal Diameter Anma Çapı	Valve Dimensions / Vana Boyutları DIN 86211						Weight(kg) Ağırlık(kg)
	Ød&g	Ød2	L1	L2	Ød1	H	Without Coupling
DN 40	R 1 1/2"	96	70	125	100	205	2,5
DN 50	R 2"	96	75	130		215	3,0
DN 65	R 2 1/2"	124	85	175	120	255	3,5