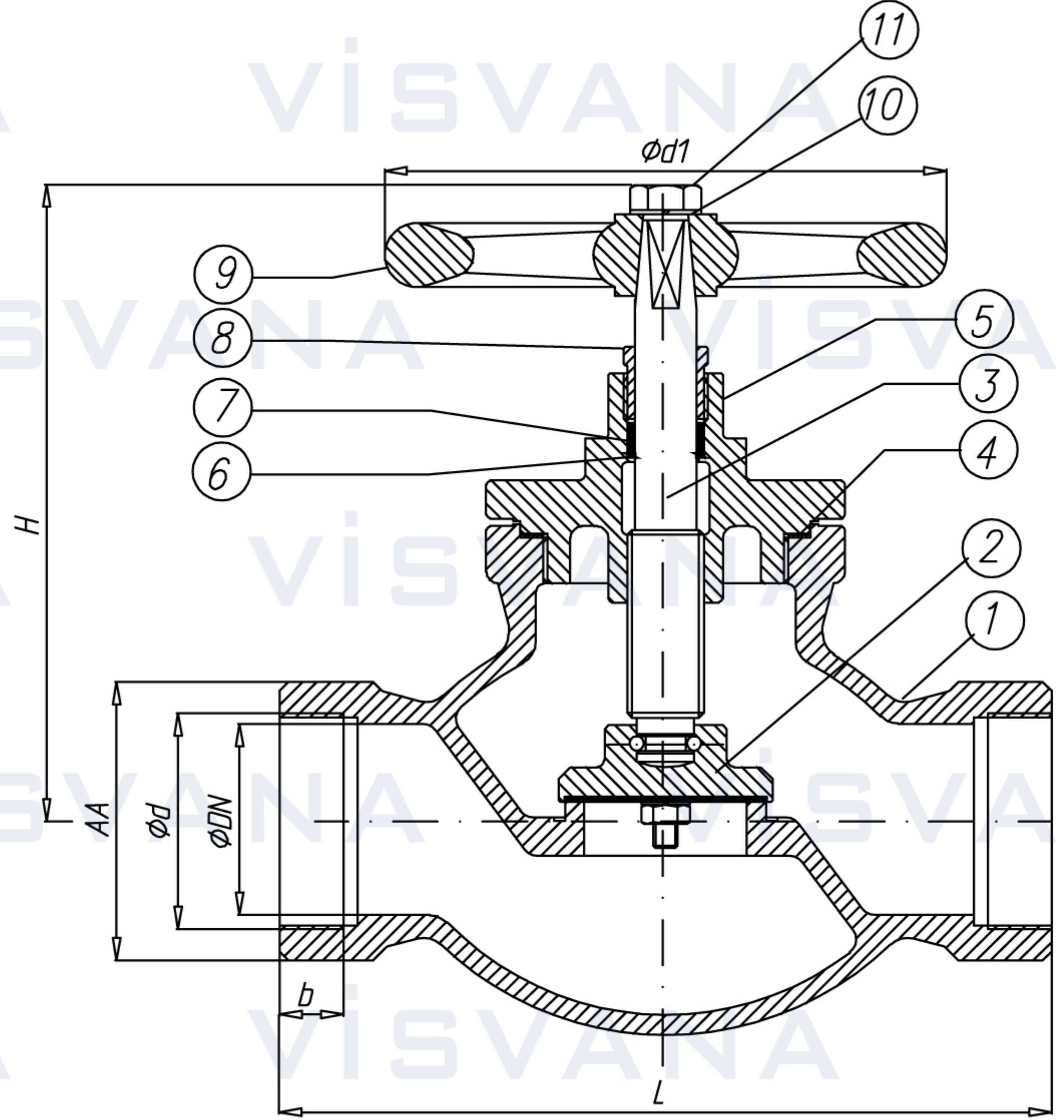


## BRONZE GLOBE VALVE STRAIGHT TYPE (SCREW BONNET, THREADED END)

### DİŞLİ BAĞLANTILI GLOB VANA PN 16

Pressure Rate / Basınç Aralığı: PN16  
Size Range / Ölçü Aralığı: DN15-DN100  
Ends: DIN EN 10226-1 (Threaded)  
Norm: DIN 3844-2  
Test: DIN EN 12266  
Options / Opsiyon: Bronze RG7,  
RG10, CuSn10



NO	PART NAME	PARÇA ADI	MATERIAL / MALZEME	NO	PART NAME	PARÇA ADI	MATERIAL / MALZEME
1	Body	Gövde	G-CuSn5Zn5Pb5-C	7	Packing	Salmastra	Graphite+PTFE
2	Disc	Klape	G-CuSn5Zn5Pb5-C	8	Gland	Salmastra	CuZn39Pb3
3	Stem	Mil	CuZn39Pb3/CuSn8	9	Handwheel	Baskısı	GG 25
4	Gasket	Conta	Perbunan/PTFE	10	Washer	El Çarkı	Steel 5 Zn
5	Bonnet	Kapak	G-CuSn5Zn5Pb5-C	11	Bolt	Rondela	Steel 5 Zn
6	Washer	Rondela	CuZn39Pb3/PTFE			Civata	

Nominal Diameter Anma Çapı	PN 16 Threaded ends Dimensions DIN EN 10226-1				Valve Dimensions / Vana Boyutları DIN 3844-2			Weight / Ağırlık Kg
	DN	Ød	AA	b	L	Ød1	H	
15	15	R 1/2"	27	10	60	50	85	0,3
20	20	R 3/4"	32	11	70	60	95	0,5
25	25	R 1"	41	13	80	70	105	0,7
32	32	R 1 1/4"	50	14	95	80	120	1,0
40	40	R 1 1/2"	58	16	105	90	130	1,3
50	50	R 2"	70	18	130	110	145	2,1
65	65	R 2 1/2"	85	20	150	150	175	4,0
80	80	R 3"	100	25	165	160	195	5,5
100	100	R 4"	130	27	205	210	285	12,0