

Pressure / Anma Basıncı: DN 40 - DN 600 PN 4

DN 500 - 600 DN 2,5

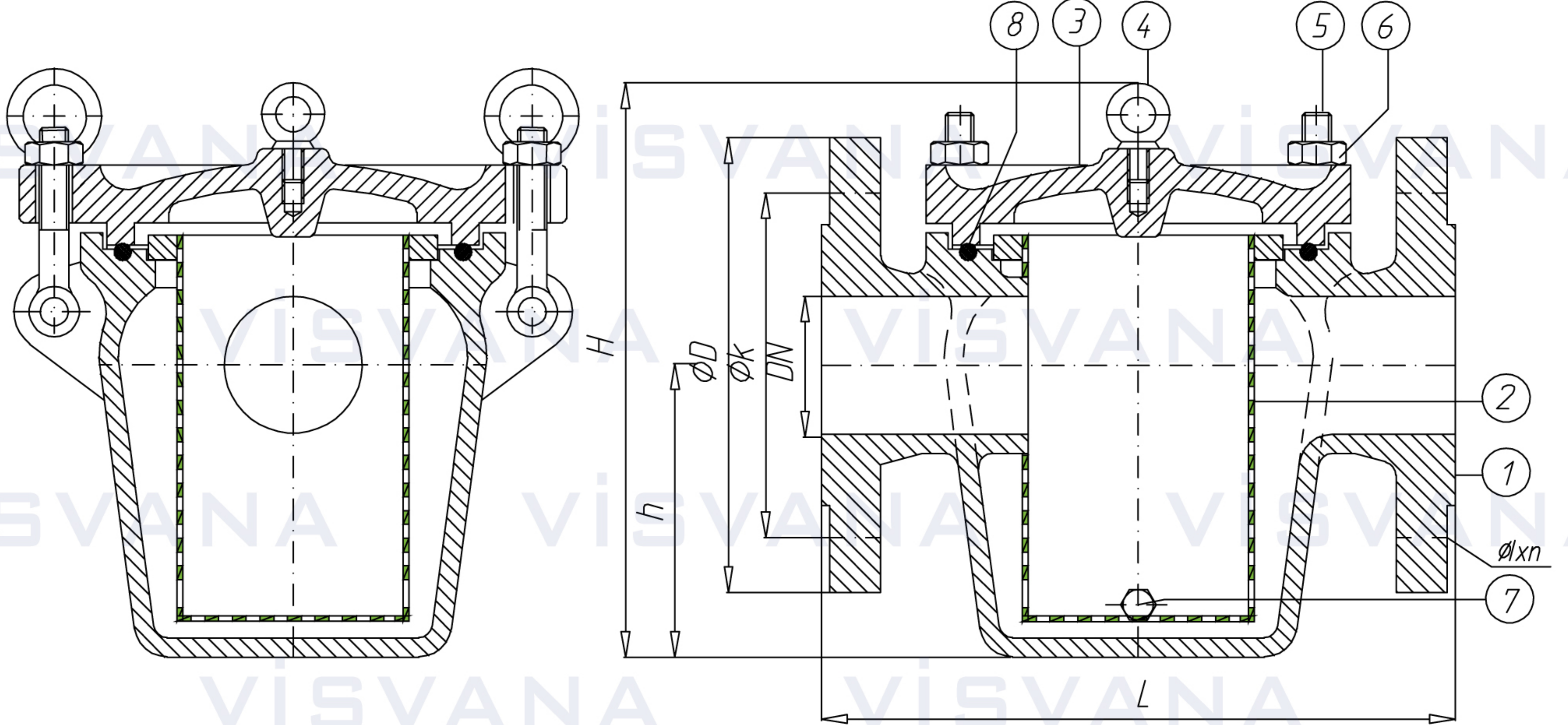
Application: For pipelines for sea cooling water

Size / Anma Çapı: DN40-DN600

Dimensions / Boyutlar: DIN87 151-D Straight

DIN EN 12266

Options / Opsiyon: ANSI, JIS Flanges



NO	PART NAME	PARÇA ADI	MATERIAL / MALZEME
1	Body	Gövde	GG25/GGG40/GGG40.3/GSC25/Bronze RG5, RG7, RG10, CuSn10/SS304,SS316, Duplex 1.4470
2	Screen	Filtre	AISI 304L / AISI 316L / AISI 316Ti / CuNi10Fe
3	Bonnet	Kapak	GG25/GGG40/GGG40.3/GSC25/Bronze RG5, RG7, RG10, CuSn10/SS304,SS316, Duplex 1.4470
4	Ring Screw	Mapa	Galvanized Steel
5	Stud	Saplama	Steel / A2 / A4
6	Nut	Somun	Steel / A2 / A4
7	Plug	Tapa	Bronze / AISI 304 / AISI 316
8	O-Ring/Gasket	O-Ring / Conta	

Note: Totally stainless steel or bronze discs are optional in 3" and bigger sizes.

Not: Komple paslanmaz veya bronz diskler 3" ve daha büyük ölçülerde opsiyoneldir.

Nominal Pressure / Basıncı	PN	4												2,5	
	DN	40	50	65	80	100	125	150	200	250	300	350	400	500	600
Valve Dimensions / Vana Boyutları DIN 87 151 D Straight Type	L	200	230	290	310	350	400	480	600	600	700	800	740	1000	1100
	H	205	225	260	310	345	395	465	565	610	675	790	900	1100	1100
	h	95	106	134	156	185	225	265	335	345	390	425	470	525	670
Flange Dimensions / Flanş Ölçüleri DIN EN 1092 PN 10	D	150	165	185	200	220	250	285	340	395	445	505	565	670	780
	k	110	125	145	160	180	210	240	295	350	400	460	515	620	725
	Øxn	Ø18x4			Ø18x8			Ø22x8		Ø22x12		Ø22x16	Ø26x16	Ø26x20	Ø30x20
Weight / Ağırlık	kg	14	19	26	33	45	60	86	147	180	245	325	415	550	815
	D	150	165	185	200	220	250	285	340	405	460	520	580	715	840
Flange Dimensions / Flanş Ölçüleri DIN EN 1092 PN 16	k	110	125	145	160	180	210	240	295	355	410	470	525	650	770
	Øxn	Ø18x4			Ø18x8			Ø22x8	Ø22x12	Ø26x12		Ø26x16	Ø30x16	Ø33x20	Ø36x20
	kg	14	19	26	33	45	60	86	150	185	250	330	420	560	825