

Pressure / Anma Basıncı: DN 40 - DN 600 PN 4

DN 500 - 600 DN 2,5

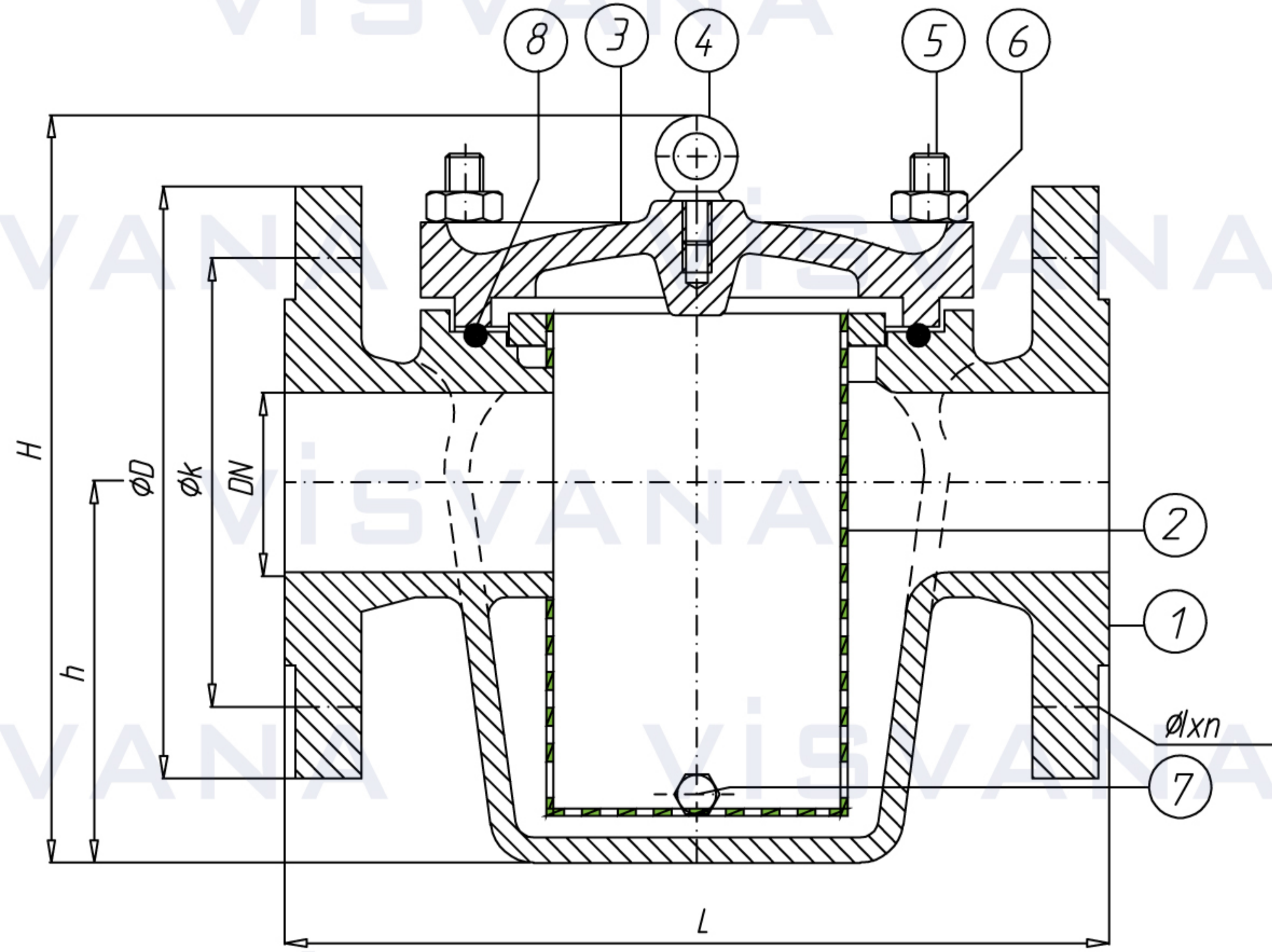
Application: For pipelines for sea cooling water

Size / Anma Çapı: DN40-DN600

Dimensions / Boyutlar: DIN87 151-D Straight

DIN EN 12266

Options / Opsiyon: ANSI, JIS Flanges



NO	PART NAME	PARÇA ADI	MATERIAL / MALZEME
1	Body	Gövde	GG25/GGG40/GGG40.3/GSC25/Bronze RG5, RG7, RG10, CuSn10/SS304,SS316, Duplex 1.4470
2	Screen	Filtre	AISI 304L / AISI 316L / AISI 316Ti / CuNi10Fe
3	Bonnet	Kapak	GG25/GGG40/GGG40.3/GSC25/Bronze RG5, RG7, RG10, CuSn10/SS304,SS316, Duplex 1.4470
4	Ring Screw	Mapa	Galvanized Steel
5	Stud	Saplama	Steel / A2 / A4
6	Nut	Somun	Steel / A2 / A4
7	Plug	Tapa	Bronze / AISI 304 / AISI 316
8	O-Ring/Gasket	O-Ring / Conta	

Note: Totally stainless steel or bronze discs are optional in 3" and bigger sizes.

Not: Komple paslanmaz veya bronz diskler 3" ve daha büyük ölçülerde opsiyoneldir.

Nominal Pressure / Basıncı	PN	4												2,5	
	DN	40	50	65	80	100	125	150	200	250	300	350	400	500	600
Valve Dimensions / Vana Boyutları DIN 87 151 D Straight Type	L	200	230	290	310	350	400	480	600	600	700	800	740	1000	1100
	H	205	225	260	310	345	395	465	565	610	675	790	900	1100	1100
	h	95	106	134	156	185	225	265	335	345	390	425	470	525	670
Flange Dimensions / Flanş Ölçüleri DIN EN 1092 PN 10	D	150	165	185	200	220	250	285	340	395	445	505	565	670	780
	k	110	125	145	160	180	210	240	295	350	400	460	515	620	725
	Øxn	Ø18x4		Ø18x8			Ø22x8		Ø22x12		Ø22x16	Ø26x16	Ø26x20	Ø30x20	
Weight / Ağırlık	kg	14	19	26	33	45	60	86	147	180	245	325	415	550	815
Flange Dimensions / Flanş Ölçüleri DIN EN 1092 PN 16	D	150	165	185	200	220	250	285	340	405	460	520	580	715	840
	k	110	125	145	160	180	210	240	295	355	410	470	525	650	770
	Øxn	Ø18x4		Ø18x8			Ø22x8	Ø22x12	Ø26x12		Ø26x16	Ø30x16	Ø33x20	Ø36x20	
Weight / Ağırlık	kg	14	19	26	33	45	60	86	150	185	250	330	420	560	825