

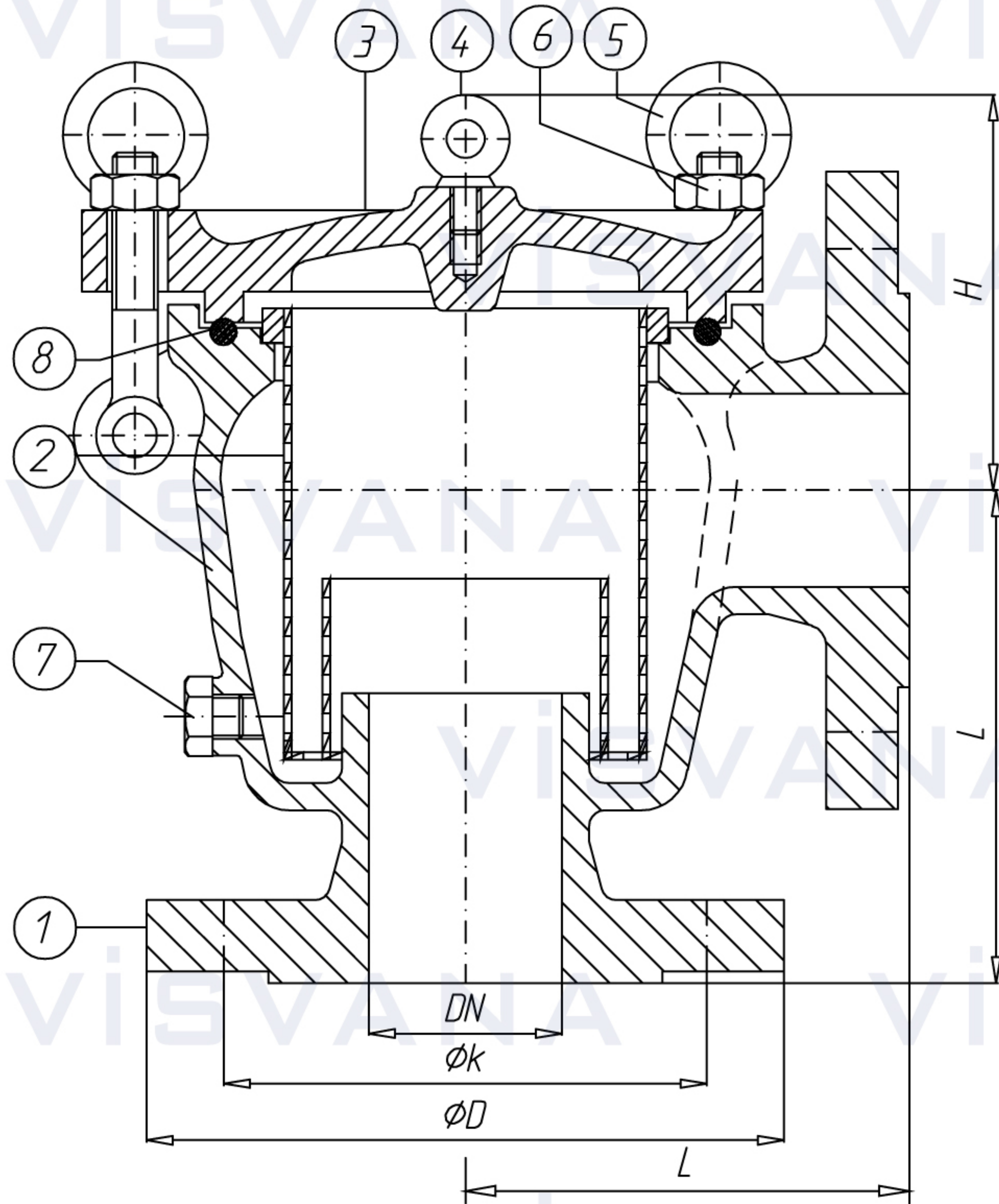
ANGLE TYPE MUD BOX

with quick release bonnet

KÖŞE TİP ÇAMUR KUTUSU

Kelebek Cıvatalı

VCVAQ-10



Pressure Rate / Basınç Aralığı: PN 4

Size Range / Ölçü Aralığı: DN40-DN400

Flange Ends / Flanş: DIN EN 1092(PN10Flange)

Application: For pipelines for sea cooling water

Dimensions / Ölçüler: DIN 87 151-E Angle

DIN 87 151-D Straight

Test: DIN EN 12266

NO	PART NAME	PARÇA ADI	MATERIAL / MALZEME
1	Body	Gövde	GG25/GGG40/GGG40.3/GSC25/Bronze RG5, RG7, RG10, CuSn10/SS304,SS316, Duplex 1.4470
2	Screen	Filtre	AISI 304L / AISI 316L / AISI 316Ti / CuNi10Fe
3	Bonnet	Kapak	GG25/GGG40/GGG40.3/GSC25/Bronze RG5, RG7, RG10, CuSn10/SS304,SS316, Duplex 1.4470
4	Ring Screw	Mapa	Galvanized Steel
5	Ring Stud	Saplama	Steel / A2 / A4
6	Nut	Somun	Steel / A2 / A4
7	Plug	Tapa	Bronze / AISI 304 / AISI 316
8	O-Ring/Gasket	O-Ring/Conta	EPDM / NBR

Nom. Diameter Anma Çapı	Capacity Water (v=1,5m/sec.)		Nom. Diameter Anma Çapı	STRAIGHT FORM / DÜZ TİP					Diameter Ağırlık	Nom. Diameter Anma Çapı	ANGLE FORM / AÇILI TİP				Diameter Ağırlık
	l/min.	m ³ /h		DN	ØD	Øk	L	H			h	kg	DN	ØD	
40	113	6,8	40	150	110	200	205	95	14	40	150	110	125	240	15
50	177	10,6	50	165	125	230	225	106	19	50	165	125	135	260	21
65	298	17,9	65	185	125	290	260	134	26	65	185	125	150	280	25
80	495	29,7	80	200	160	310	310	156	33	80	200	160	175	330	36
100	708	42,4	100	220	180	350	345	185	45	100	220	180	195	350	51
125	1100	66,2	125	250	210	400	395	225	60	125	250	210	220	415	69
150	1590	95,4	150	285	240	480	465	265	86	150	285	240	270	470	94
175	2360	142	175	315	270	550	500	296	115	175	315	270	300	505	120
200	2830	169,6	200	340	295	600	565	335	147	200	340	295	300	540	138
250	4420	235,2	250	395	350	600	610	345	180	250	395	350	390	660	200
300	6365	382	300	445	400	700	675	390	245	300	445	400	450	760	278
350	8660	520	350	505	460	800	790	425	325	350	505	460	400	730	330
400	12350	740	400	565	515	740	900	470	415	400	565	515	⁴²⁰ ₅₂₀	980	458