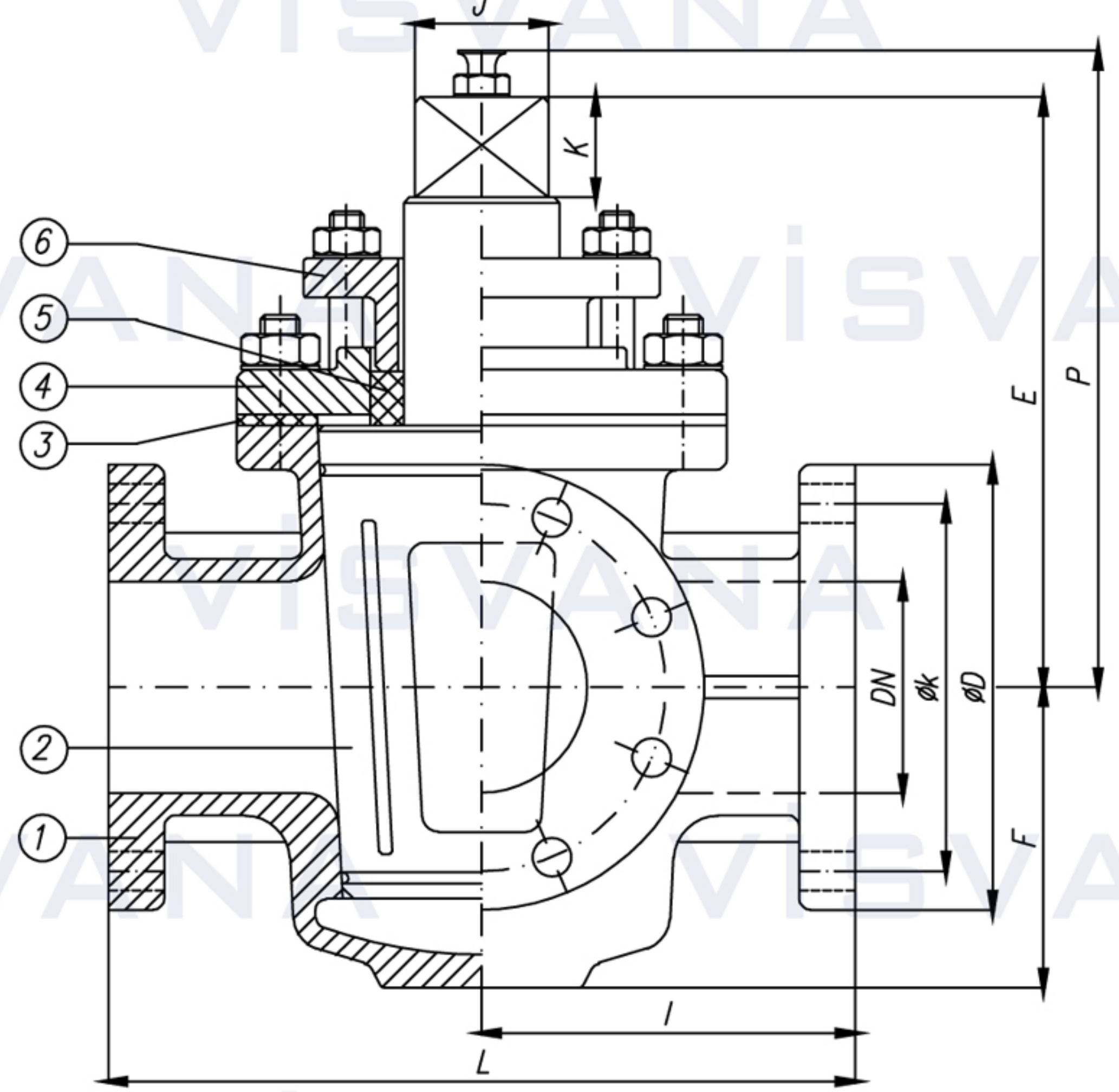




# VB3F-10

## PLUG VALVES (3 WAY) BLÖF (TAPA) VANA (3 YOLLU)

Pressure Rate / Basınç Aralığı: PN 10-16  
Size Range / Ölçü Aralığı: DN25-DN100  
Flange Ends / Flanş: DIN EN 1092  
BS 4504 / ASA 125 / ASA 150



NO	PART NAME	PARÇA ADI	MATERIAL / MALZEME
1	Body	Gövde	GG 25 / GGG 40 / GSC 25 / SS 304 / SS 316 / Bronze Rg-5
2	Plug	Tapa	GG 25 / GGG 40 / GSC 25 / SS 304 / SS 316 / Bronze Rg-5
3	Gasket	Conta	EPDM / Klingerit
4	Bonnet	Kapak	GG 25 / GGG 40 / GSC 25 / SS 304 / SS 316 / Bronze Rg-5
5	Packing	Salmastra	PTFE + Graphite
6	Gland	Glend	GG 25 / GGG 40 / GSC 25 / SS 304 / SS 316 / Bronze Rg-5

Nominal Pressure / Basıncı Nominal Diameter / Anma Çapı	PN	PN 10 / PN 16							
		DN	25	32	40	50	65	80	100
Valve Dimensions / Vana Boyutları BS 1735	L	165	203	222	241	267	305	256	
	I	130	150	175	190	210	265	310	
	E	149	165	189	211	246	260	304	
	F	57	65	76	95	114	143	175	
	P	214	230	270	292	340	360	405	
	J	27	32	38	41	48	51		
	K	27	32	38		51			
Flange Dimensions Flanş Ölçüleri DIN EN 1092 ASA 125 / ASA 150 BS 4504	PN 10 PN 16	D	115	140	150	165	185	200	220
		k	85	100	110	125	145	160	180
	PN 40	D	115	140	150	165	185	200	235
		k	85	100	110	125	145	160	190
	ASA 125 ASA 150	D	108	117	127	152,4	178	191	229
		k	79	89	98,5	120,7	139,7	152,4	190,5
Weight / Ağırlık		kg	6,5	10,5	12	20,5	28	36	66