

DN 1/4".....2"

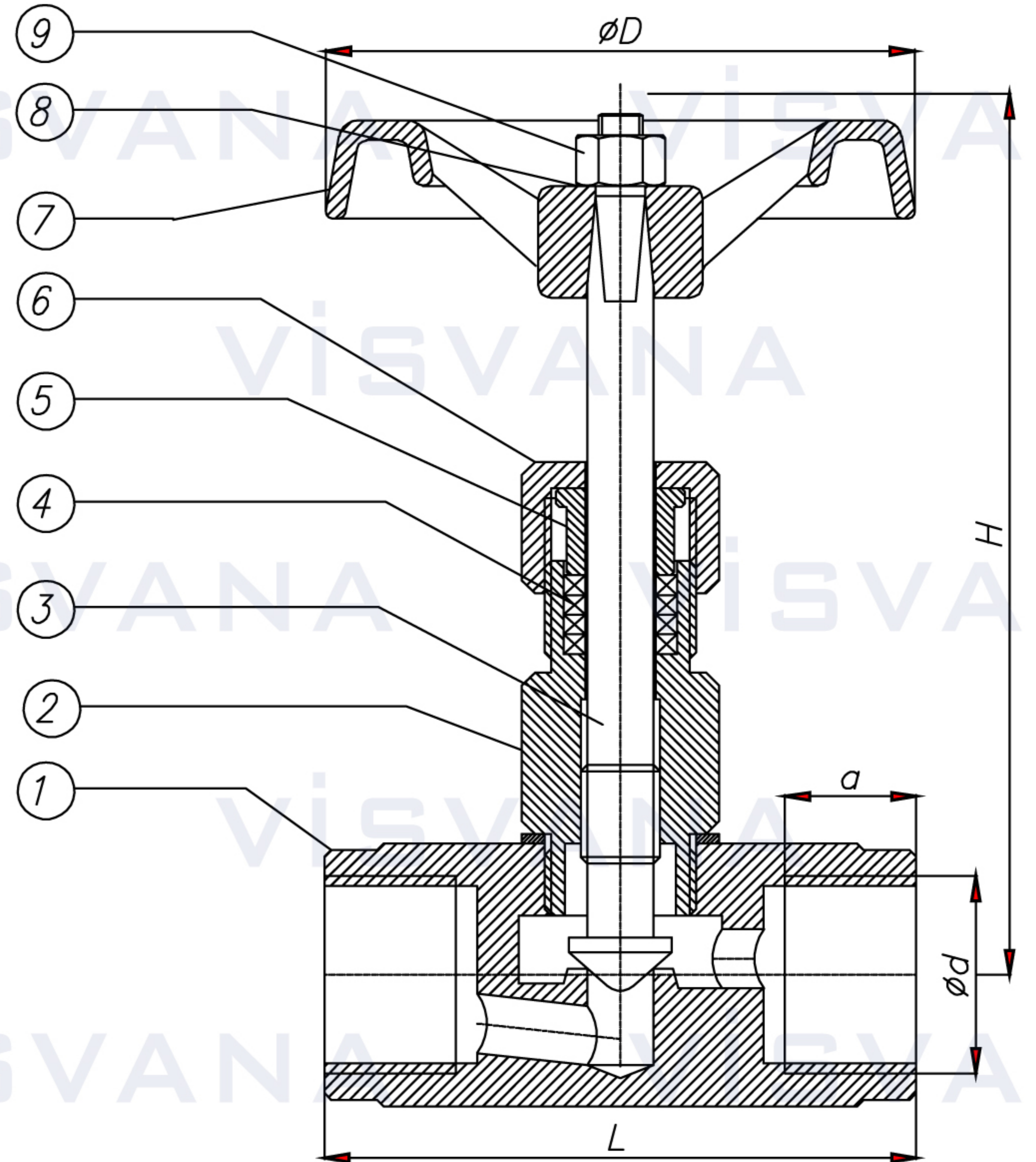
PN 0-250

PN CLASS 150..... CLASS 1500

Min. -60 oC Max. +500 °C

Threaded DIN EN 10226-1

NPT Threaded ANSI-B16.11



NO	PART NAME	PARÇA ADI	MATERIAL / MALZEME	NO	PART NAME	PARÇA ADI	MATERIAL / MALZEME
1	Body	Gövde	Brass / ASTM A 105 / SS	6	Packing Nut	Salmastra Kapağı	Brass / SS
2	Sutfig Box Body	Mil Yatağı	Brass / ASTM A 105 / SS	7	Handwheel	El Çarkı	Aluminium / Cl / SS
3	Stem / Disc	Mil	Brass / AISI 420 / AISI 316	8	Washer	Rondela	Brass / SS
4	Packing	Salmastra	Graphite	9	Nut	Somun	Stainless Steel
5	Packing Bush	Salmastra Baskısı	Brass / SS				

Nominal Diameter / Anma Çapı	DN	6	8	10	15	20	25	32	40	50
	Ød	1/8"	1/4"	3/8"	1/2"	3/4"	1"	1 1/4"	1 1/2"	2"
Valve Dimensions / Vana Boyutları	a	11	12	14	17	20	22	25	28	
	L	50	55	65	75	90	95	100	112	
	H	85	95	112	122	146	173	192	216	
	ØD	60		75		90	100		125	
Weight / Ağırlık	Kg	04	0,50	0,100	1,050	2,45	3,20	4,35	7,30	