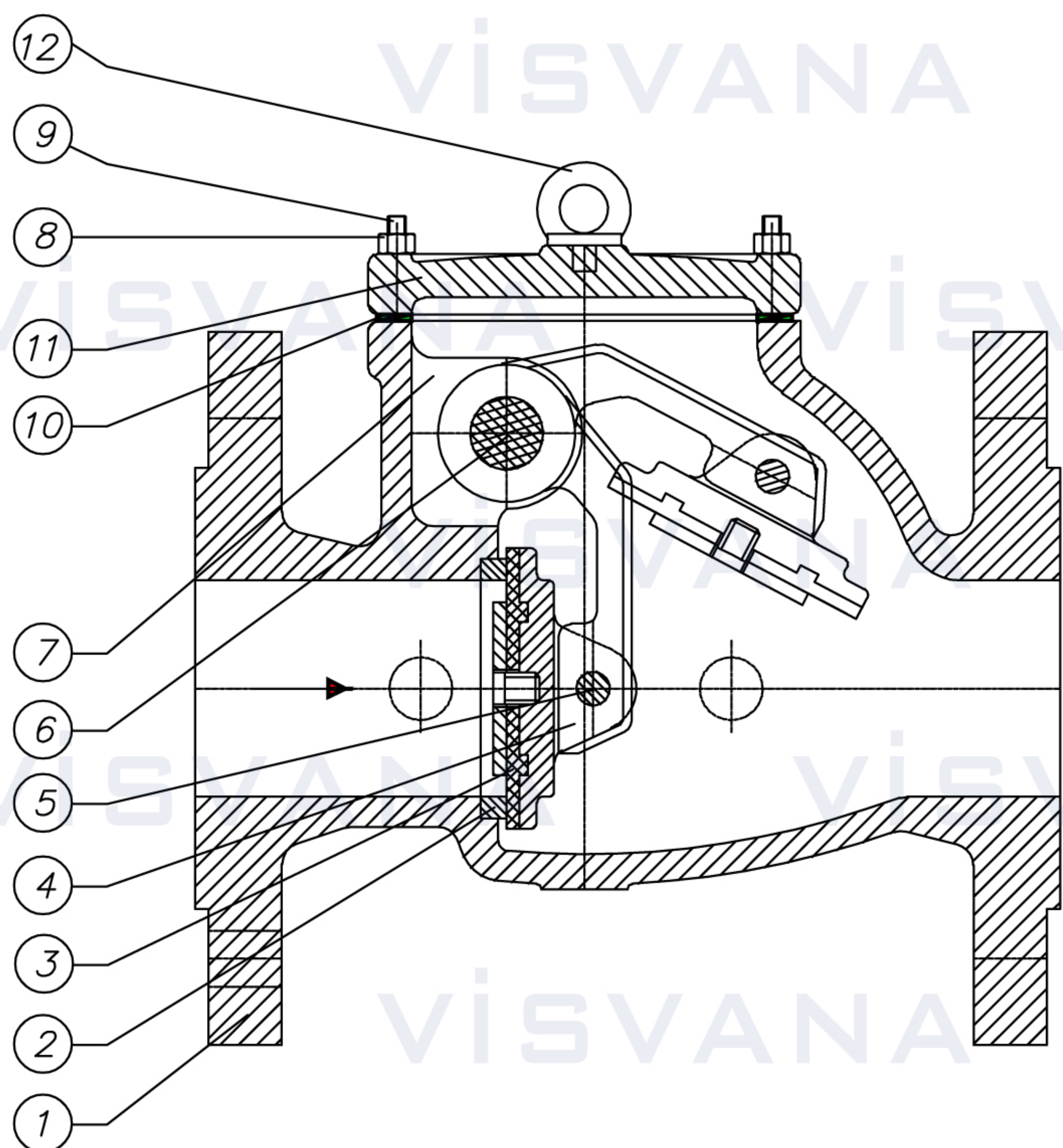


API SWING CHECK VALVE



STANDARD MATERIAL To API 600

Trim Code	Seat Ring Surface Part No.2	Disc Surface Part No.3	Hing pin Part No.6
1	F6	F6	F6
2	F304	F304	F304
5	Stellite	Stellite	F6
8	Stellite	F6	F6
9	Monel	Monel	Monel
10	F316	F316	F316
13	Alloy 20	Alloy 20	Alloy 2

Standards

Design and Manufacture	BS 1868-1873,ASME B16.34,API6D
Inspection and Test	API598,API6D
End Falnge dimension	ASME B16.5
End Falnge dimension	ASME B16.47A MSS SP-44
End Falnge dimension	ASME B16.47B API605
BW end dimension	ASME B16.25
Face to face	ASME B16.10
Pressure-temperature ratings	ASME B16.34
Wall thickness dimension	API600 and BS 1868

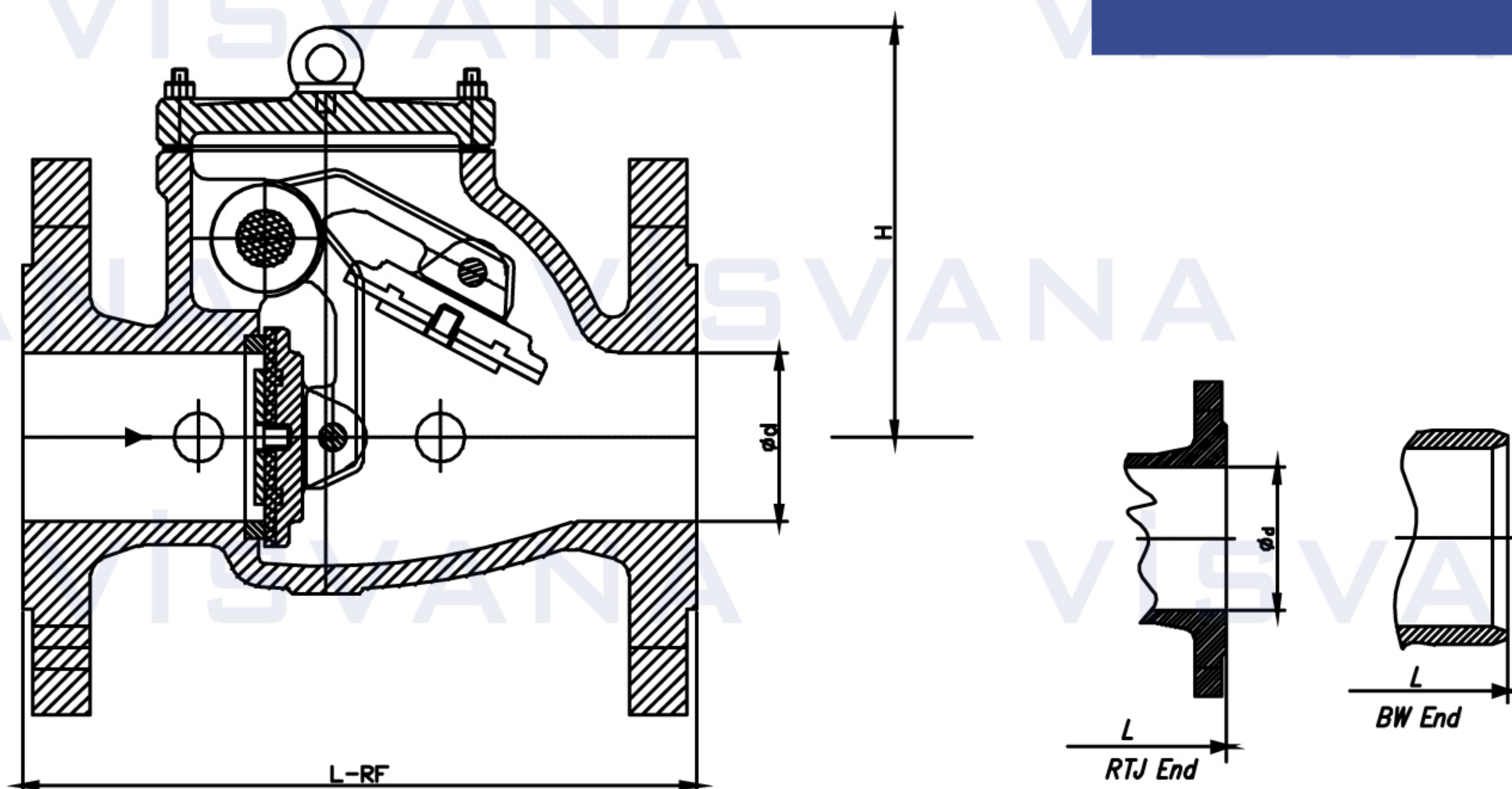
Standard Material Specifications

Parts name		Carbon steel to ASTM		Alloy Steel to ASTM				Stainless Steel to ASTM			
1	Body	A216WCB	A352 LCB	A217 WC1	A217 WC6	A217 WC9	A217 C5	A351 CF8	A351 CF8M	A351 CF3	A351 CF3M
11	Cover	A216 WCB	A352 LCB	A217 WC1	A217 WC6	A217 WC9	A217 C5	A351 CF8	A351 CF8M	A351 CF3	A351 CF3M
3	Disc	A216 WCB	A352 LCB	A217 WC1	A217 WC6	A217 WC9	A217 C5	A351 CF8	A351 CF8M	A351 CF3	A351 CF3M
4	Hinge	A216 WCB	A352 LCB	A217 WC1	A217 WC6	A217 WC9	A217 C5	A351 CF8	A351 CF8M	A351 CF3	A351 CF3M
9	Bolt	A193 B7	A320 L7	A193 B7	A193 B16	A193 B16	A193 B16	A193 B8	A193 B8	A193 B8	A193 B8
8	Nut	A194 2H	A194 4	A194 2H	A194 4	A194 4	A194 4	A194 8	A194 8	A194 8	A194 8
5	Disc Nut	A194 2H	410	410	410	410	410	304	316	304L	316L
10	Gasket	SS Spiral Wound W/graphite, or SS Spiral Wound W/PTFE, of Reinforced PTFE									
12	Eye Bolt	Steel									
7	Yoke	A216 WCB	A352 LCB	A217 WC1	A217 WC6	A217 WC9	A217 C5	A351 CF8	A351 CF8M	A351 CF3	A351 CF3M

Noted: The chart above only lists out some common composition of steel globe valve parts. We may provide other differend parts material composition according to the customer' s request or the actual valve working condition.

API SWING CHECK VALVE

VCS-C600 / VCS-C900
VCS-C1500 / VCS-C2500



Class 600 & Class 2500 Swing Check Valve

Size		Class 600 Dimensions (mm)						Class 900 Dimensions (mm)					
NPS	DN	L			d	H	Weight (Kg)	L			d	H	Weight (Kg)
		RF	RTJ	BW				RF	RTJ	BW			
2	50	292	295	292	51	170	26	368	371	368	51	183	72
2 1/2	65	330	333	330	64	178	35	419	422	419	64	220	75
3	80	356	359	356	76	225	59	381	384	381	73	280	102
4	100	432	435	432	102	275	99	457	460	457	98	315	134
5	125	508	511	508	127	320	155	559	562	559	127	360	200
6	150	559	562	559	152	385	208	610	613	610	146	390	354
8	200	660	664	660	200	445	357	737	740	737	190	460	514
10	250	787	791	787	248	500	561	838	841	838	238	540	754
12	300	838	841	838	298	570	752	965	968	965	283	640	818
14	350	889	892	889	327	590	889	1029	1038	1029	311	680	1180
16	400	991	994	991	375	650	1285	1130	1140	1130	356	780	1909
18	450	1092	1095	1092	419	778	1800	1219	1232	1219	400	845	2500
20	500	1194	1200	1194	464	970	2150	1321	1334	1321	444	1050	2960
24	600	1397	1407	1397	559	1100	3200	1549	1568	1549	533	1200	4600

Size		Class 1500 Dimensions (mm)						Class 2500 Dimensions (mm)					
NPS	DN	L			d	H	Weight (Kg)	L			d	H	Weight (Kg)
		RF	RTJ	BW				RF	RTJ	BW			
2	50	368	371	368	48	265	67	451	454	451	38	285	93
2 1/2	65	419	422	419	57	240	75	508	514	508	48	305	100
3	80	470	473	470	70	303	188	578	584	578	57	350	196
4	100	546	549	546	92	340	210	673	683	673	73	410	410
5	125	673	676	673	127	380	294	794	807	794	96	490	440
6	150	705	711	705	137	430	473	914	927	914	111	540	868
8	200	832	841	832	178	500	634	1022	1038	1022	146	620	970
10	250	991	1000	991	222	605	1140	1270	1292	1270	184	705	1700
12	300	1130	1146	1130	264	785	1939	1422	1445	1422	219	855	2080
14	350	1257	1276	1257	289	830	2000						
16	400	1384	1407	1384	330	950	2700						
18	450	1537	1559	1537	371	1080	3960						
20	500	1664	1686	1664	416	1145	4400						