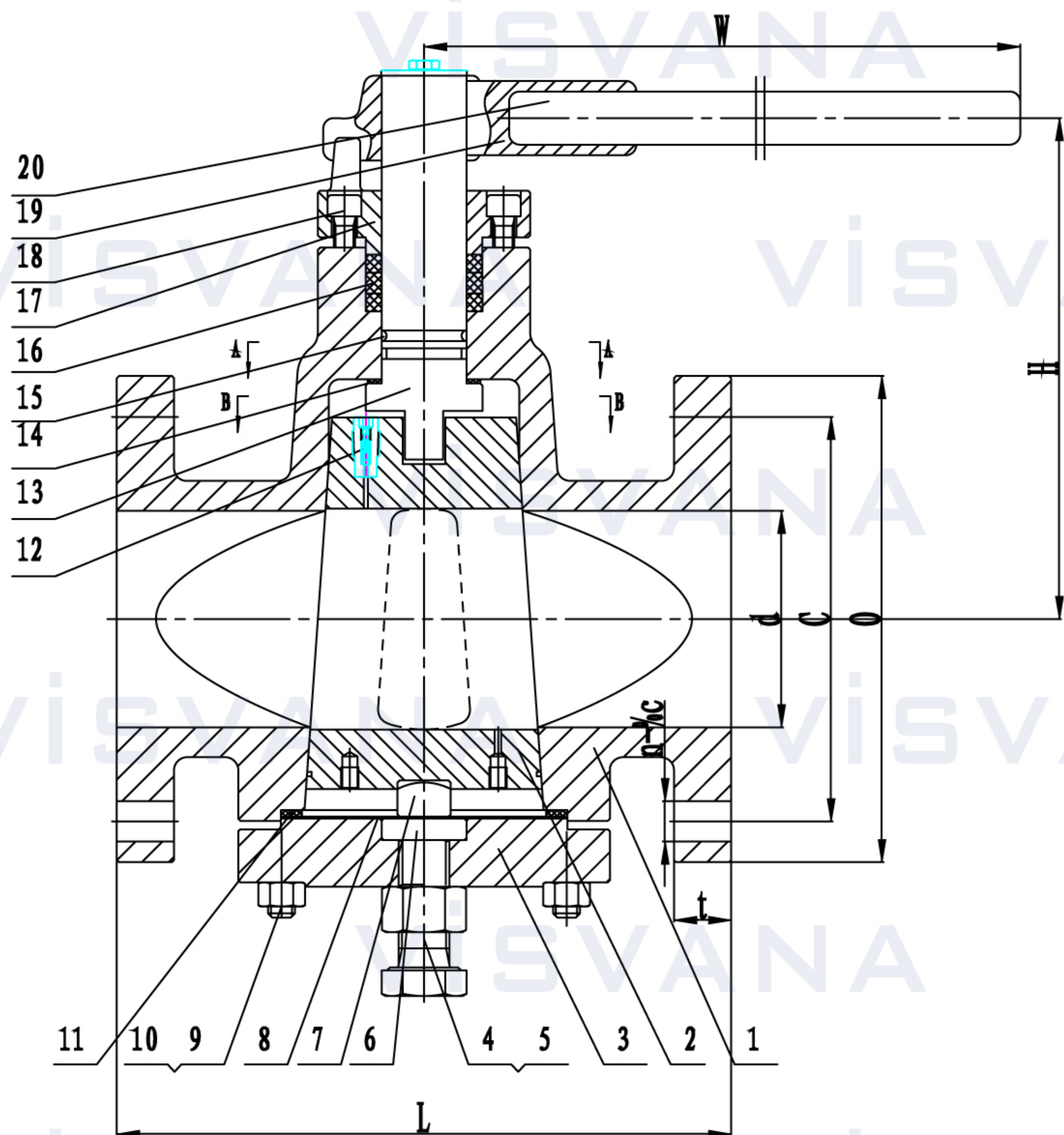


# API LUBRICATED PLUG VALVE



## Standards

Design standard	API 599, API 6D
Face to face	ASME B16.10, API 6D
Butt welding end	ASME B16.25
End flange	ASME B16.5
Test and Inspection	API 598

## Specifications

Construction type : Pressure Balance;

Inverted Plug Valve

Operator type : Handwheel, Gear Operation

## Parts and material list

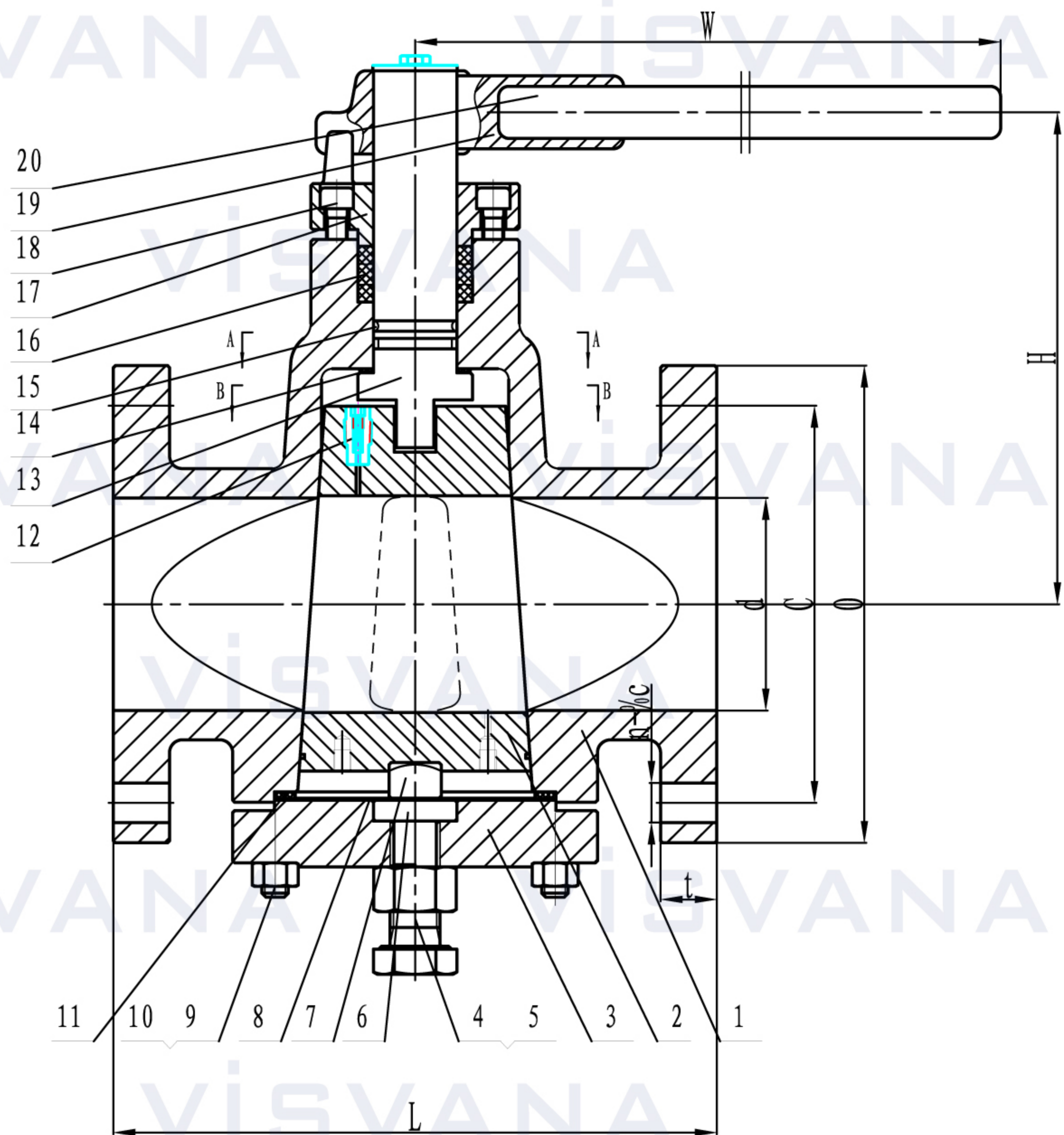
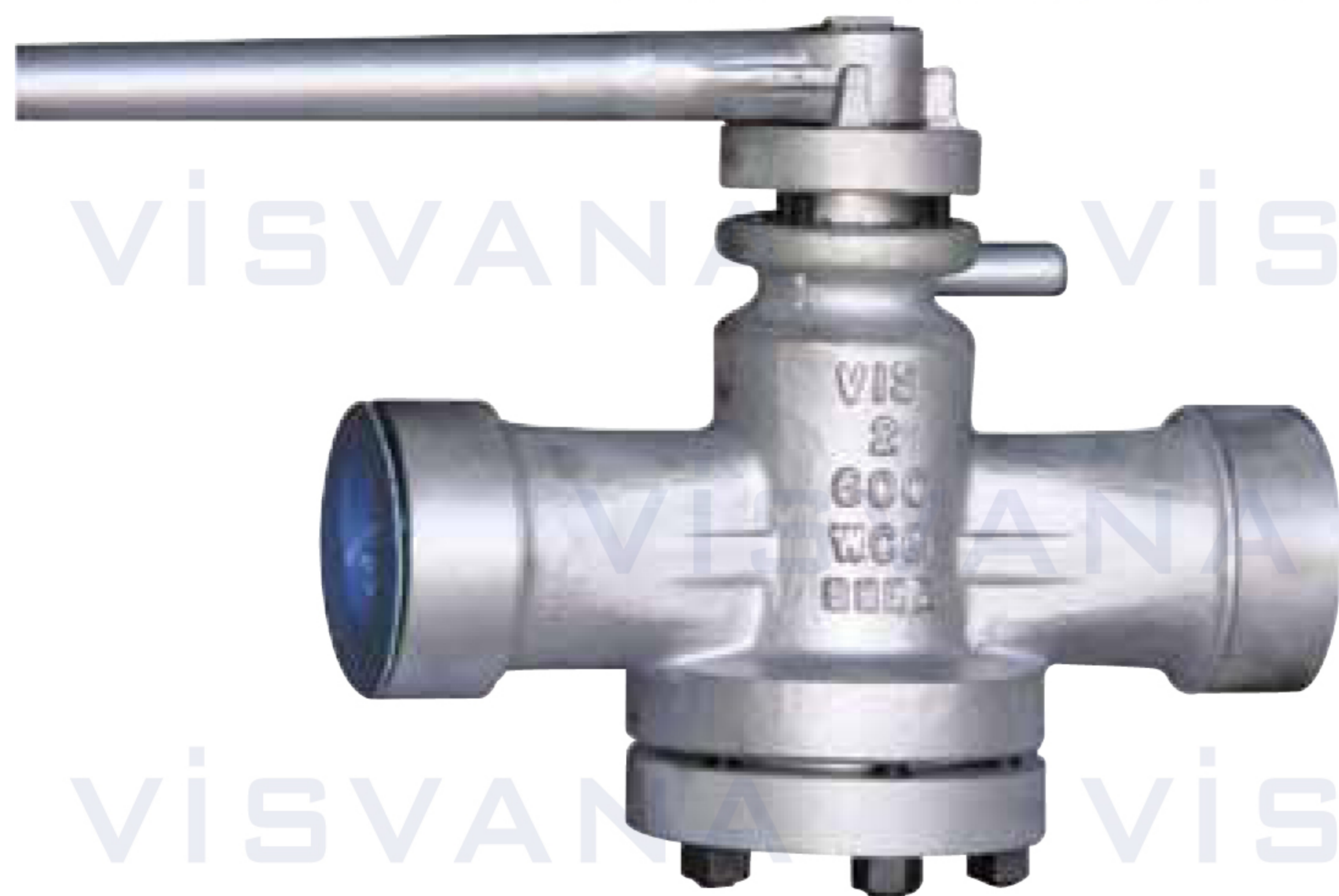
Parts name		Carbon steel to ASTM		Alloy Steel to ASTM				Stainless Steel to ASTM			
1	Bolt	A193 B7	A320 L7	A193 B7	A193 B16	A193 B16	A193 B16	A193 B8	A193 B8	A193 B8	A193 B8
2	Nut	A194 2H	A194 4	A194 2H	A194 4	A194 4	A194 4	A194 8	A194 8	A194 8	A194 8
3	Cover	A216 WCB	A352 LCB	A217 WCI	A217 WC6	A217 WC9	A217 C5	A351 CF8	A351 CF8M	A351 CF3	A351 CF3M
4	Gasket	Flexible Graphite+SS, PTFE									
5	Plug	A182 F6a	A182 F6a	A182 F6a	A182 F6a	A182 F6a	A182 F6a	A182 F304	A182 F316	A182 F304L	A182 F316L
6	Body	A216 WCB	A352 LCB	A217 WCI	A217 WC6	A217 WC9	A217 C5	A351 CF8	A351 CF8M	A351 CF3	A351 CF3M
7	Check Valve	SS	SS	SS	SS	SS	SS	SS	SS	SS	SS
8	Stem	A182 F6a	A182 F6a	A182 F6a	A182 F6a	A182 F6a	A182 F6a	A182 F304	A182 F316	A182 F304L	A182 F316L
9	O-ring	NBR or Viton									
10	Packing	Flexible Graphite+SS, PTFE									
11	Gland	A216 WCB	A352 LCB	A217 WCI	A217 WC6	A217 WC9	A217 C5	A351 CF8	A351 CF8M	A351 CF3	A351 CF3M
12	Nozzle	SS	SS	SS	SS	SS	SS	SS	SS	SS	SS
13	Wrench	Ductile Iron or Carbon Steel									





**VB2FL-C150**  
**VB2FL-C300**

**API LUBRICATED PLUG VALVE**



**Class 150 & Class 300 Inverted Pressure Blance Lubricated Plug Valve**

Size		Class 150					Class 300				
NPS	DN	Dimensions (mm)				Wt(Kg) W.H	Dimensions (mm)				Wt(Kg) W.H
		L	d	H	W		L	d	H	W	
1/2	15	108	13	180	400	10	140	13	180	400	12
3/4	20	117	19	180	400	12	152	19	180	400	14
1	25	127	25	185	500	14	165	25	185	500	16
1 1/4	32	140	32	200	500	17	178	32	200	600	19
1 1/2	40	165	38	214	600	19	190	38	210	600	21
2	50	178	49	215	600	21	216	49	215	820	24
2 1/2	65	190	62	250	820	29	241	62	250	1000	31
3	80	203	74	270	820	33	283	74	270	1000	36
4	100	229	100	300	300	48	305	100	300	300	61
5	125	254	127	340	300	75	381	127	340	300	86
6	150	267	150	365	320	98	403	150	365	320	130
8	200	292	201	400	320	125	419	201	400	320	190
10	250	330	252	450	350	171	457	252	450	350	255
12	300	356	303	510	380	230	502	303	510	380	380
14	350	381	334	590	380	370	762	334	590	380	560