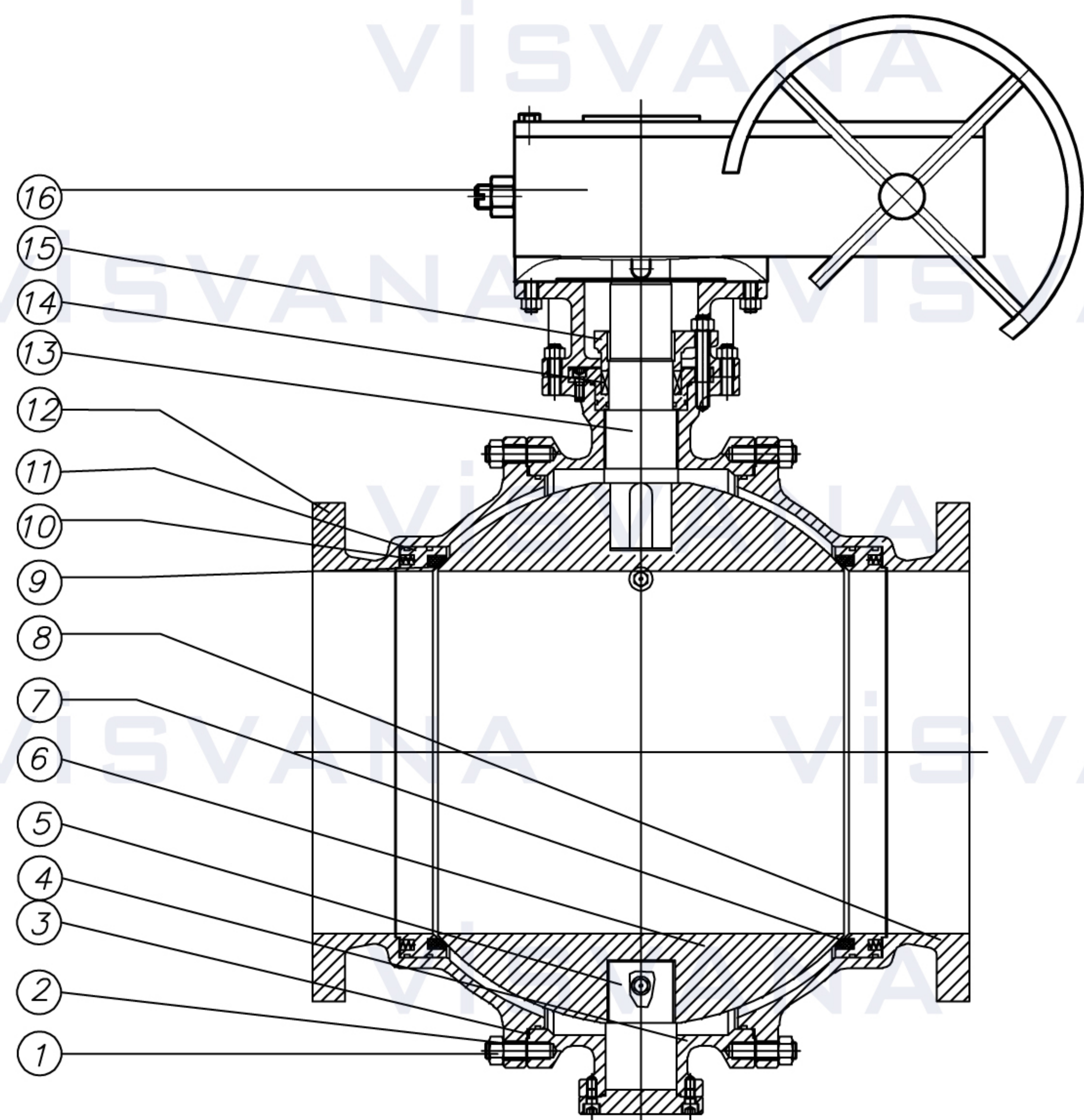


API TRUNNION BALL VALVE



Class 150-1500 cast steel Trunnion ball valve

Bolted cover, Two-piece or three-piece Body,
Anti Blowout stem.
Fire safe and Anti static
ASTM A216 WCB, A351 CF8, A351 CF8M,
A351 CF3, A351 CF3M, A351 CN7M

Standarts compliance

Design and Manufacture : API 6D, API 608
Face to face (end to end) : API 6D
Flanged connection : ANSIB16.5
Fire-safe : AP1607, API6FA
Butt welded and : ANSIB16.25
Test and inspection : API6D, API598

Parts and material list

Parts No	Parts Name	Material				
		WCB/13Cr	WCB/304	WCB/316	CF8/304	CF8M/316
4	Body	ASTM A216 WCB	ASTM A216 WCB	ASTM A216 WCB	ASTM A351 CF8	ASTM A351 CF8M
10	O ring	Viton	Viton	Viton	Viton	Viton
13	Stem	ASTM A182 F6a	ASTM A182 F304	ASTM A182 F316	ASTM A182 F304	ASTM A182 F316
15	Gland	ASTM A105	ASTM A105	ASTM A105	ASTM A182 F304	ASTM A182 F316
16	Gear	Carbon Steel/Gray Iron	Carbon Steel/Gray Iron	Carbon Steel/Gray Iron	Carbon Steel/Gray Iron	Carbon Steel/Gray Iron
6	Ball	ASTM A182 F6a	ASTM A182 F304	ASTM A182 F316	ASTM A182 F304	ASTM A182 F316
9	Seat	Reinforced PTFE	Reinforced PTFE	Reinforced PTFE	Reinforced PTFE	Reinforced PTFE
14	O ring	Viton	Viton	Viton	Viton	Viton
7	Seat ring	ASTM A105	ASTM A105	ASTM A105	ASTM A182 F304	ASTM A182 F316
11	Spring	SS304 or inconel 750	SS304 or inconel 750	SS316 or inconel 750	SS304 or inconel 750	SS316 or inconel 750
1	Body bolting	ASTM A193 B7	ASTM A193 B7	ASTM A193 B7	ASTM A193 B8	ASTM A193 B8
2	Body nut	ASTM A194 2H	ASTM A194 2H	ASTM A194 2H	ASTM A194 8	ASTM A194 8
8	Cover	ASTM A216 WCB	ASTM A216 WCB	ASTM A216 WCB	ASTM A351 CF8	ASTM A351 CF8M
3	Gasket	PTFE	PTFE	PTFE	PTFE	PTFE
5	Low trunnion	ASTM A105	ASTM A105	ASTM A105	ASTM A182 F304	ASTM A182 F316
12	Cover	ASTM A216 WCB	ASTM A216 WCB	ASTM A216 WCB	ASTM A351 CF8	ASTM A351 CF8M

Noted: the chart above only lists out some common composition of steel ball valve parts, we may provide other different parts material composition according to the customer's request or the actual valve working condition.

API TRUNNION BALL VALVE

VTTBV-C600 / VTTBV-C900
VTTBV-C1500 / VTTBV-C2500



API Trunnion Ball Valve

Class	Size		Dimensions (mm)							Weight (Kg)
	DN	NPS	L			d	H	H1	W	
			RF	RTJ	BW					
600	50	2	292	295	292	49	140	94	300	32
	65	2 1/2	330	333	330	62	155	115	300	47
	80	3	356	359	356	74	190	136	300	68
	100	4	432	435	432	100	220	152	300	106
	125	5	508	511	508	127	245	180	300	170
	150	6	559	562	559	150	300	209	400	241
	200	8	660	664	660	201	345	263	600	444
	250	10	787	791	787	252	405	312	600	668
	300	12	838	841	838	303	445	354	600	1050
	350	14	889	892	889	334	505	389	600	1317
	400	16	991	994	991	385	580	440	700	1800
	450	18	1092	1095	1092	436	700	530	700	2400
	500	20	1194	1200	1194	487	890	560	700	3000
600	24	1397	1407	1397	538	1050	670	800	5400	
900	50	2	368	371	368	49	170	98	300	45
	65	2 1/2	419	422	419	62	195	120	300	55
	80	3	381	384	381	74	220	140	350	94
	100	4	457	460	457	100	245	162	350	141
	125	5	559	562	559	127	305	188	400	230
	150	6	610	613	610	150	335	213	400	325
	200	8	737	740	737	201	370	270	600	580
	250	10	838	841	838	252	475	322	600	850
	300	12	965	968	965	303	590	360	700	1330
	350	14	1029	1038	1029	322	700	400	700	1660
	400	16	1130	1140	1130	372	850	460	800	2280
1500	40	1 1/2	305	305	305	38	280	100	300	44
	50	2	368	371	368	49	320	113	300	67
	65	2 1/2	419	422	419	64	340	125	300	80
	80	3	470	473	470	74	385	138	300	130
	100	4	546	549	546	100	415	171	300	192
	125	5	673	676	673	125	480	200	400	335
	150	6	705	711	705	144	580	222	400	475
	200	8	832	841	832	192	584	280	400	820
	250	10	991	1000	991	239	650	340	500	1320
300	12	1130	1146	1130	287	700	370	600	2050	
2500	40	1 1/2	384	387	384	38	290	105	300	72
	50	2	451	454	451	42	320	120	300	104
	65	2 1/2	508	514	508	52	350	130	300	140
	80	3	578	584	578	62	400	150	300	202
	100	4	673	683	673	87	425	180	400	305
	125	5	794	807	794	100	500	210	400	530
	150	6	914	927	914	131	590	230	500	760
	200	8	1022	1038	1022	179	610	290	500	1200
250	10	1270	1292	1270	223	660	350	600	2080	