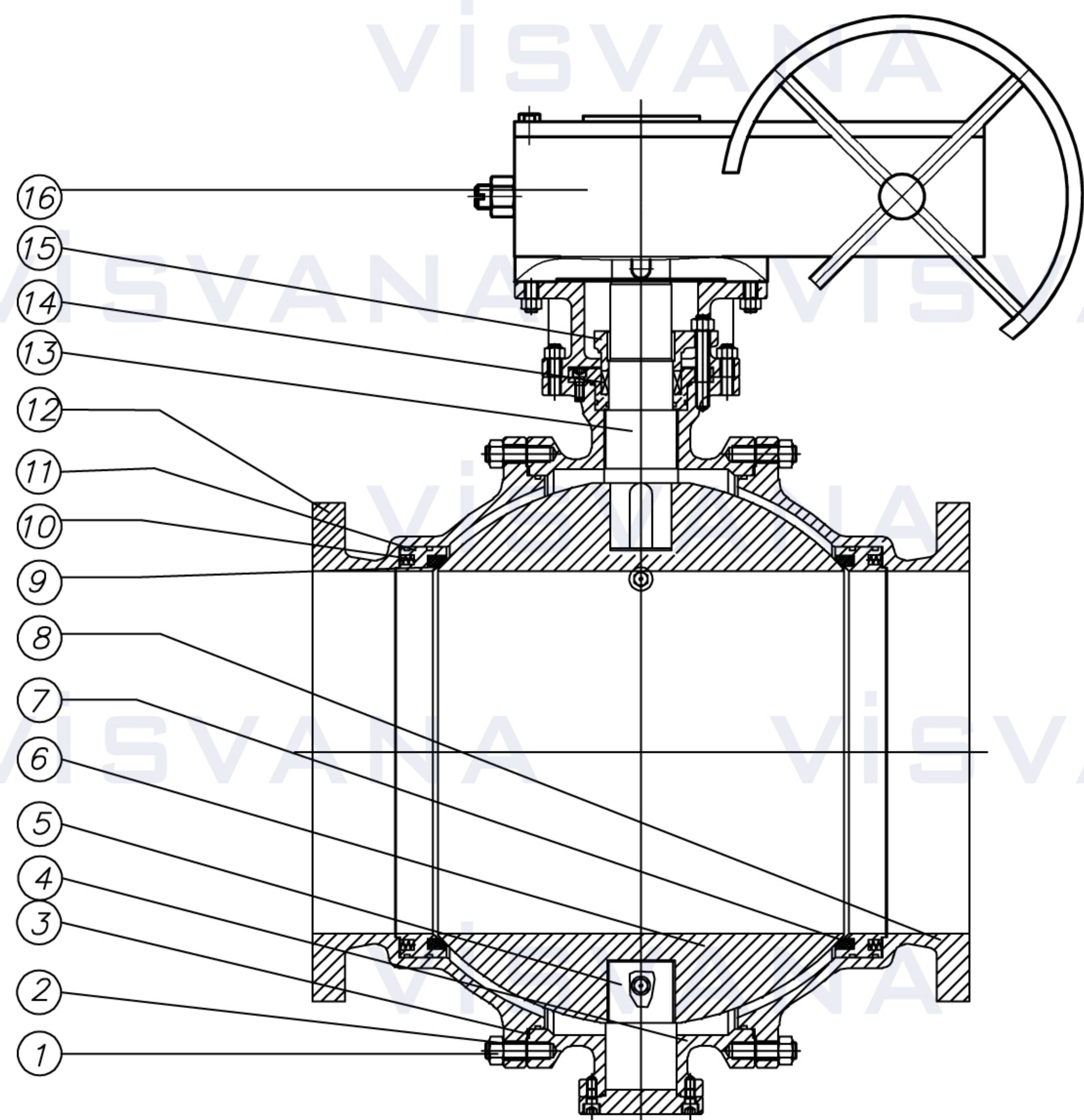


API TRUNNION BALL VALVE



Class 150-1500 cast steel Trunnion ball valve

Bolted cover, Two-piece or three-piece Body,
Anti Blowout stem.
Fire safe and Anti static
ASTM A216 WCB, A351 CF8, A351 CF8M,
A351 CF3, A351 CF3M, A351 CN7M

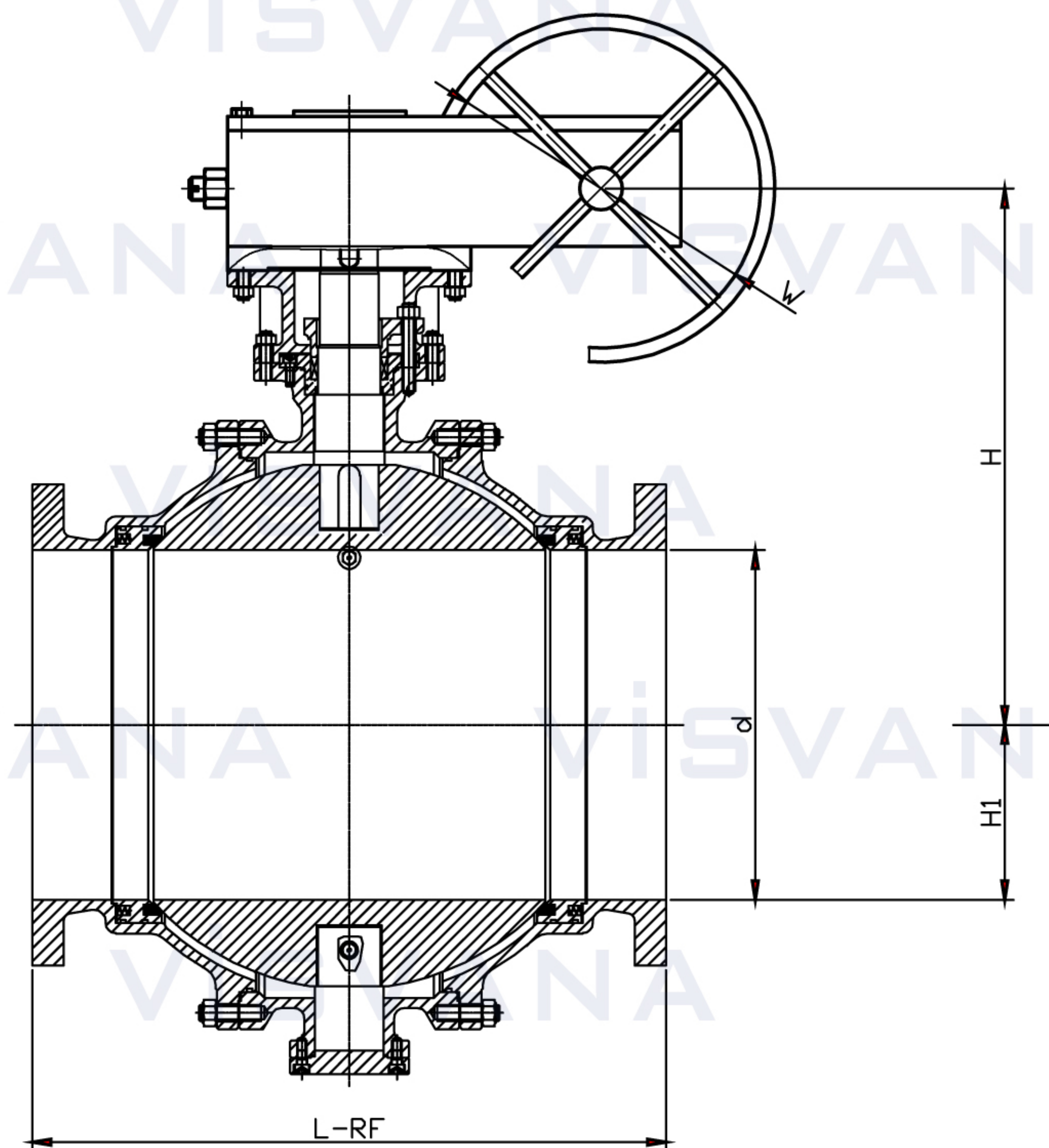
Standarts compliance

Design and Manufacture : API 6D, API 608
Face to face (end to end) : API 6D
Flanged connection : ANSIB16.5
Fire-safe : AP1607, API6FA
Butt welded and : ANSIB16.25
Test and inspection : API6D, API598

Parts and material list

Parts No	Parts Name	Material				
		WCB/13Cr	WCB/304	WCB/316	CF8/304	CF8M/316
4	Body	ASTM A216 WCB	ASTM A216 WCB	ASTM A216 WCB	ASTM A351 CF8	ASTM A351 CF8M
10	O ring	Viton	Viton	Viton	Viton	Viton
13	Stem	ASTM A182 F6a	ASTM A182 F304	ASTM A182 F316	ASTM A182 F304	ASTM A182 F316
15	Gland	ASTM A105	ASTM A105	ASTM A105	ASTM A182 F304	ASTM A182 F316
16	Gear	Carbon Steel/Gray Iron	Carbon Steel/Gray Iron	Carbon Steel/Gray Iron	Carbon Steel/Gray Iron	Carbon Steel/Gray Iron
6	Ball	ASTM A182 F6a	ASTM A182 F304	ASTM A182 F316	ASTM A182 F304	ASTM A182 F316
9	Seat	Reinforced PTFE	Reinforced PTFE	Reinforced PTFE	Reinforced PTFE	Reinforced PTFE
14	O ring	Viton	Viton	Viton	Viton	Viton
7	Seat ring	ASTM A105	ASTM A105	ASTM A105	ASTM A182 F304	ASTM A182 F316
11	Spring	SS304 or inconel 750	SS304 or inconel 750	SS316 or inconel 750	SS304 or inconel 750	SS316 or inconel 750
1	Body bolting	ASTM A193 B7	ASTM A193 B7	ASTM A193 B7	ASTM A193 B8	ASTM A193 B8
2	Body nut	ASTM A194 2H	ASTM A194 2H	ASTM A194 2H	ASTM A194 8	ASTM A194 8
8	Cover	ASTM A216 WCB	ASTM A216 WCB	ASTM A216 WCB	ASTM A351 CF8	ASTM A351 CF8M
3	Gasket	PTFE	PTFE	PTFE	PTFE	PTFE
5	Low trunnion	ASTM A105	ASTM A105	ASTM A105	ASTM A182 F304	ASTM A182 F316
12	Cover	ASTM A216 WCB	ASTM A216 WCB	ASTM A216 WCB	ASTM A351 CF8	ASTM A351 CF8M

Noted: the chart above only lists out some common composition of steel ball valve parts, we may provide other different parts material composition according to the customer's request or the actual valve working condition.



API Trunnion Ball Valve

Class	Size		Dimensions (mm)						Weight (Kg)
	DN	NPS	L		d	H	H ₁	W	
			RF	BW					
150 10k	100	4	229	305	100	250	135	300	60
	125	5	356	381	127	260	165	300	80
	150	6	394	457	150	285	193	400	101
	200	8	457	521	201	325	240	400	166
	250	10	533	559	252	370	293	500	283
	300	12	610	635	303	415	340	500	463
	350	14	686	762	334	455	372	600	622
	400	16	762	838	385	500	415	600	900
	450	18	864	914	436	540	462	600	1150
	500	20	914	991	487	590	511	600	1360
	600	24	1067	1143	589	680	601	600	2514
	650	26	1143	1245	633	800	700	600	3200
	700	28	1245	1346	684	960	780	700	4000
	750	30	1295	1397	735	1200	830	700	4800
300 20k	100	4	305	305	100	205	140	300	70
	125	5	381	381	127	260	170	300	95
	150	6	403	457	150	285	192	400	128
	200	8	502	521	201	325	246	400	234
	250	10	568	559	252	370	303	500	403
	300	12	648	635	303	415	348	500	602
	350	14	762	762	334	455	378	600	803
	400	16	838	838	385	500	429	600	1273
	450	18	914	914	436	540	518	600	1450
	500	20	991	991	487	590	540	600	1700
	600	24	1143	1143	589	690	650	600	3100
	650	26	1245	1245	633	800	750	700	4500
	700	28	1346	1346	684	960	800	700	6000
	750	30	1397	1397	735	1200	860	700	7500
800	32	1524	1524	779	1380	900	800	9000	
900	36	1727	1727	874	1650	1020	800	12000	

Noted: We may provide other different actuators according to the customer's request, such as pneumatic, electric, hydraulic actuators, the details of them according to the actual valve working condition.