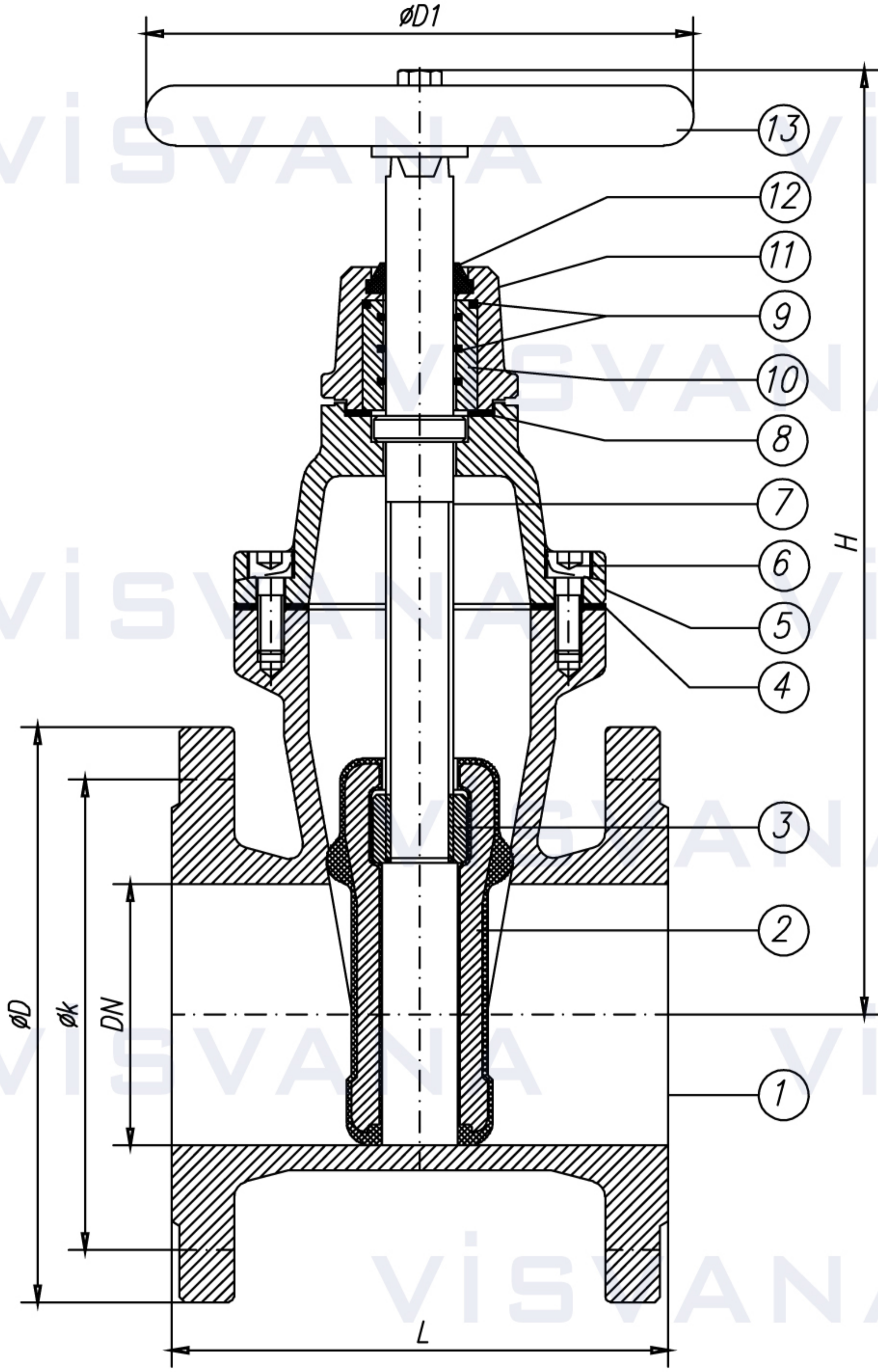


RESILIENT SEAT GATE VALVE

ELASTOMER SÜRGÜLÜ VANA

VESV-10-16-25



O-RING SYSTEM / O-RING SİSTEMLİ

Design / Dizayn: EN 1171

Pressure Rate / Basınç Aralığı: PN10-16-25

Size Range / Ölçü Aralığı: DN40-DN600

Flange Ends / Flanş: DIN EN 558-1-14



1

Gate Valves

| NO | PART NAME | PARÇA ADI | MATERIAL / MALZEME | NO | PART NAME | PARÇA ADI | MATERIAL / MALZEME |
|----|-----------|--------------|-----------------------|----|---------------|-------------|--------------------|
| 1 | Body | Gövde | GGG-25 / GGG 40 | 8 | Gasket | Conta | EPDM / NBR |
| 2 | Wedge | Sürgü | GGG-40 + Rubber&Nylon | 9 | O-Ring | O-Ring | EPDM / NBR |
| 3 | Stem nut | Sürgü Somunu | Ms 58 /Bronze | 10 | Teflon Bush | Mil Yatağı | PTFE (Teflon) |
| 4 | Gasket | Conta | EPDM / NBR | 11 | Gland | Glend | GGG-25 / GGG 40 |
| 5 | Bonnet | Kapak | GGG-25 / GGG 40 | 12 | Cleand Gasket | Toz Contası | EPDM / NBR |
| 6 | Bolt | Civata | 8,8 | 13 | Handwheel | Volan | GG 20 |
| 7 | Stem | Mil | AISI 420,304,316 | | | | |

| Nominal Pressure / Anma Basıncı | PN | 10 - 16 | | | | | | | | | | | | | |
|---|------|---------|------|------|-------|------|------|-------|--------|--------|-------|--------|--------|--------|--------|
| Nominal Diameter / Anma Çapı | DN | 40 | 50 | 65 | 80 | 100 | 125 | 150 | 200 | 250 | 300 | 350 | 400 | 500 | 600 |
| Valve Dimensions / Vana Boyutları DIN EN 1171 DIN EN 558-1-14 | L | 140 | 150 | 170 | 180 | 190 | 200 | 210 | 230 | 250 | 270 | 290 | 310 | 350 | 390 |
| | H | 230 | 240 | 285 | 310 | 345 | 385 | 460 | 535 | 635 | 710 | 840 | 920 | 990 | 1125 |
| | D1 | 160 | | | | 200 | 250 | | | | 315 | 400 | | 500 | |
| Flange Dimensions / Flanş Ölçüleri DIN EN 1092-2 PN 10 | D | 150 | 165 | 185 | 200 | 220 | 250 | 285 | 340 | 395 | 445 | 505 | 565 | 670 | 780 |
| | k | 110 | 125 | 145 | 160 | 180 | 210 | 240 | 295 | 350 | 400 | 460 | 515 | 620 | 725 |
| | Øxad | Ø18x4 | | | Ø18x8 | | | Ø22x8 | | Ø22x12 | | Ø22x16 | Ø26x16 | Ø26x20 | Ø30x20 |
| Weight / Ağırlık | kg | 9,3 | 11,5 | 16,0 | 19,5 | 27,0 | 29,0 | 46,0 | 63,0 | 90,0 | 125,0 | 210,0 | 270,0 | 435,0 | 655,0 |
| Flange Dimensions / Flanş Ölçüleri DIN EN 1092-2 PN 16 | D | 150 | 165 | 185 | 200 | 220 | 250 | 285 | 340 | 405 | 460 | 520 | 580 | 715 | 840 |
| | k | 110 | 125 | 145 | 160 | 180 | 210 | 240 | 295 | 355 | 410 | 470 | 525 | 650 | 770 |
| | Øxad | Ø18x4 | | | Ø18x8 | | | Ø22x8 | Ø22x12 | Ø26x12 | | Ø26x16 | Ø30x16 | Ø33x20 | Ø36x20 |
| Weight / Ağırlık | kg | 9,3 | 11,5 | 16,0 | 19,5 | 27,0 | 29,0 | 46,0 | 63,0 | 94,0 | 130,0 | 220,0 | 280,0 | 450,0 | 670,0 |