

RISING STEM GATE VALVE

YÜKSELEN MİLLİ SÜRGÜLÜ VANA

VYM-10



Design / Dizayn: EN 1171

Face to Face / L Boyu: EN 558

Serie 14 (DN3202 F4)

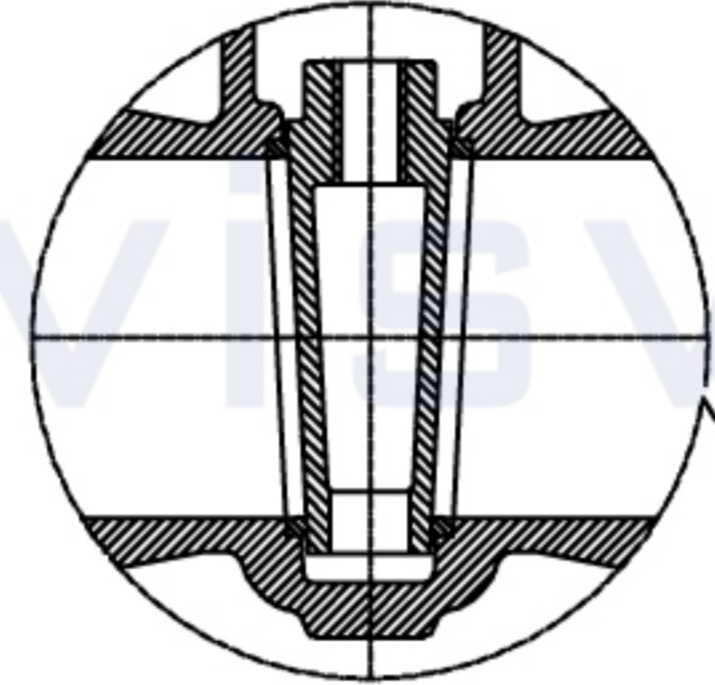
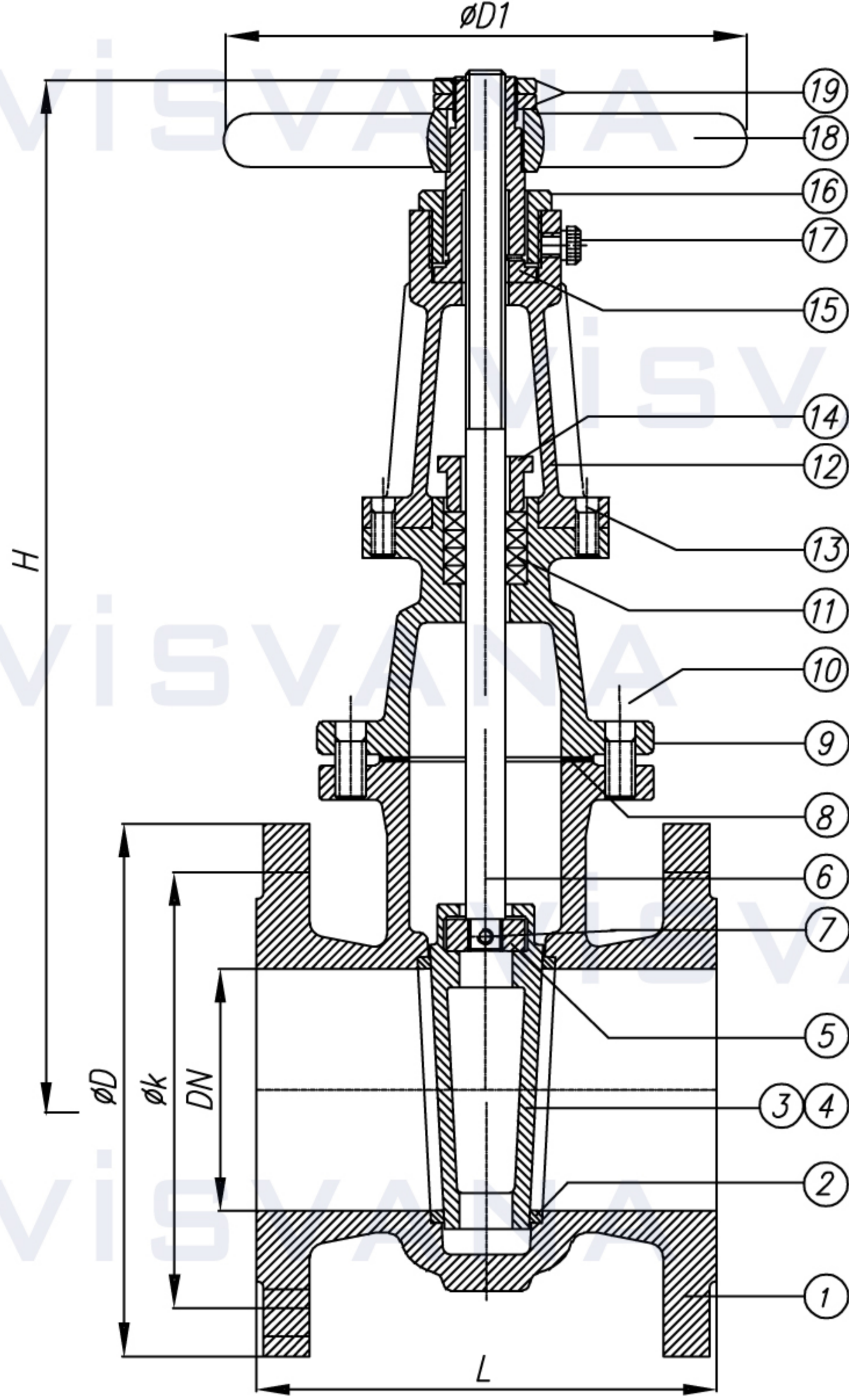
Pressure Rate / Basınç Aralığı: PN10-PN16

Size Range / Ölçü Aralığı: DN40-DN1000

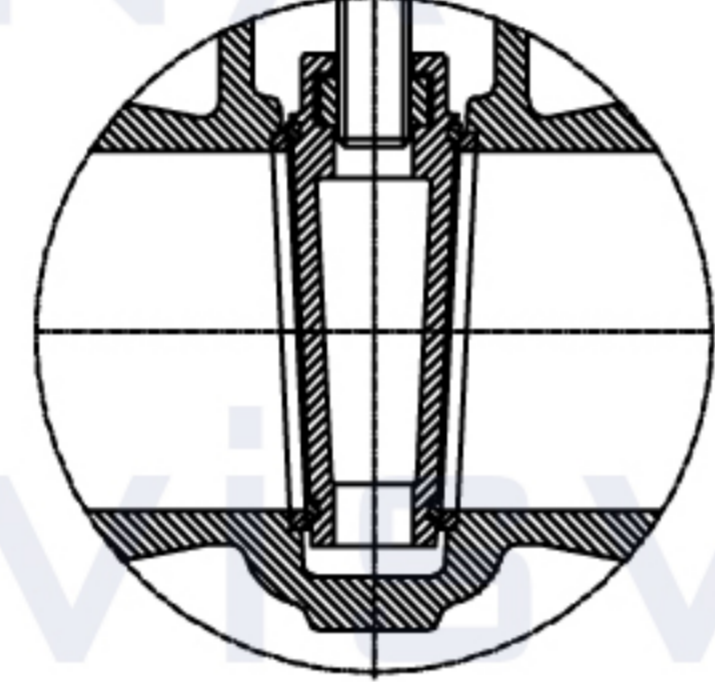
Temperature / Sıcaklık: -10...+400 °C

Flange Ends / Flanş: DIN EN 1092-2/B

Test: EN 12266



DN40...100
Wedge Type / Sürgü Tipi



DN125...600
Wedge Type / Sürgü Tipi



1

Gate Valves

Pressure Range Basınç Aralığı	Cast Iron Pik Döküm GG25	Ductile Iron Sfero Döküm GGG40	Cast Steel Çelik GSC25
DN40-DN200	10	16	16
DN250-DN300	6	10	
DN350-DN500	4	6	
DN600-DN700	2,5	4	
DN800	1,6	2,5	
DN900-DN1000	1	1,6	

NO	PART NAME	PARÇA ADI	MATERIAL / MALZEME	NO	PART NAME	PARÇA ADI	MATERIAL / MALZEME
1	Body	Gövde	GG 25/GGG-40/GGG40.3/GSC25/ Bronze RG5, RG7, RG10/SS304, SS316	9	Bonnet	Kapak	GG 25/GGG-40/GGG40.3/GSC25/ Bronze RG5, RG7, RG10/SS304, SS316
2	Body seat	Gövde Burcu	Ms 58/ Bronze / S.S	10	Bolt	Civata	8.8 / A2 / A4
3	Wedge	Sürgü	GG 25/GGG-40/GGG40.3/GSC25/ Bronze RG5, RG7, RG10/SS304, SS316	11	Packing	Salmastra	GRAPHITE / TEFLON
4	Wedge seat	Sürgü Burcu	Ms 58/ Bronze / S.S	12	Yoke	Boyunduruk	GG 25/GGG-40/GGG40.3/GSC25/ Bronze RG5, RG7, RG10/SS304, SS316
5	Stem nut Only 125...600	Sürgü Somunu Sadece 125..600	Bronze /GGG 40	13	Packing Nut	Salmastra Baskısı	GG 25/GGG-40/GGG40.3/GSC25/ Bronze RG5, RG7, RG10/SS304, SS316
6	Stem	Mil	SS420/Ms58/Som59/CuZn35Ni/ CuSn8,CuSn10/SS304,SS316	14	Yoke Nut	Mil Yatağı	Ms 58 / Bronze / GGG 40
7	Pin	Sabitleme Pimi	Ms 58/ Bronze / S.S	15	Centering Nut	Mil Yatağı Somunu	Ms 58 / Bronze / S.S
8	Gasket	Conta	Klingerite/ EPDM/ GRAPHITE	16	Oil Nipple	Gresörlük	St.
				17	Handwheel	Volan	GG 20
				18	Handwheel Nut	Volan Somunu	Ms 58 / Bronze / S.S

Nominal Pressure / Anma Basıncı	PN	10				6				4				2.5		
Nominal Diameter / Anma Çapı	DN	40	50	65	80	100	125	150	200	250	300	350	400	500	600	
Valve Dimensions / Vana Boyutları TS EN 1171 DIN 3352/2-F4	L	140	150	170	180	190	200	210	230	250	270	290	310	350	390	
	H min	350	360	470	470	580	650	725	815	950	1080	1225	1390	1670	1920	
	H max	410	470	560	560	690	790	895	1030	1220	1405	1595	1810	2195	2550	
Flange Dimensions / Flanş Ölçüleri DIN EN 1092-2 PN 10	D1	160				200				315				400		500
	D	150	165	185	200	220	250	285	340	395	445	505	565	670	780	
	k	110	125	145	160	180	210	240	295	350	400	460	515	620	720	
Weight / Ağırlık	kg	11	15	19,5	24	30	44	59	106	158	232	200	310	450	600	