

Design / Dizayn: EN 1171

Face to Face / L Boyu: EN 558

Serie 14 (DN3216 F4)

Pressure Rate / Basınç Aralığı: PN16

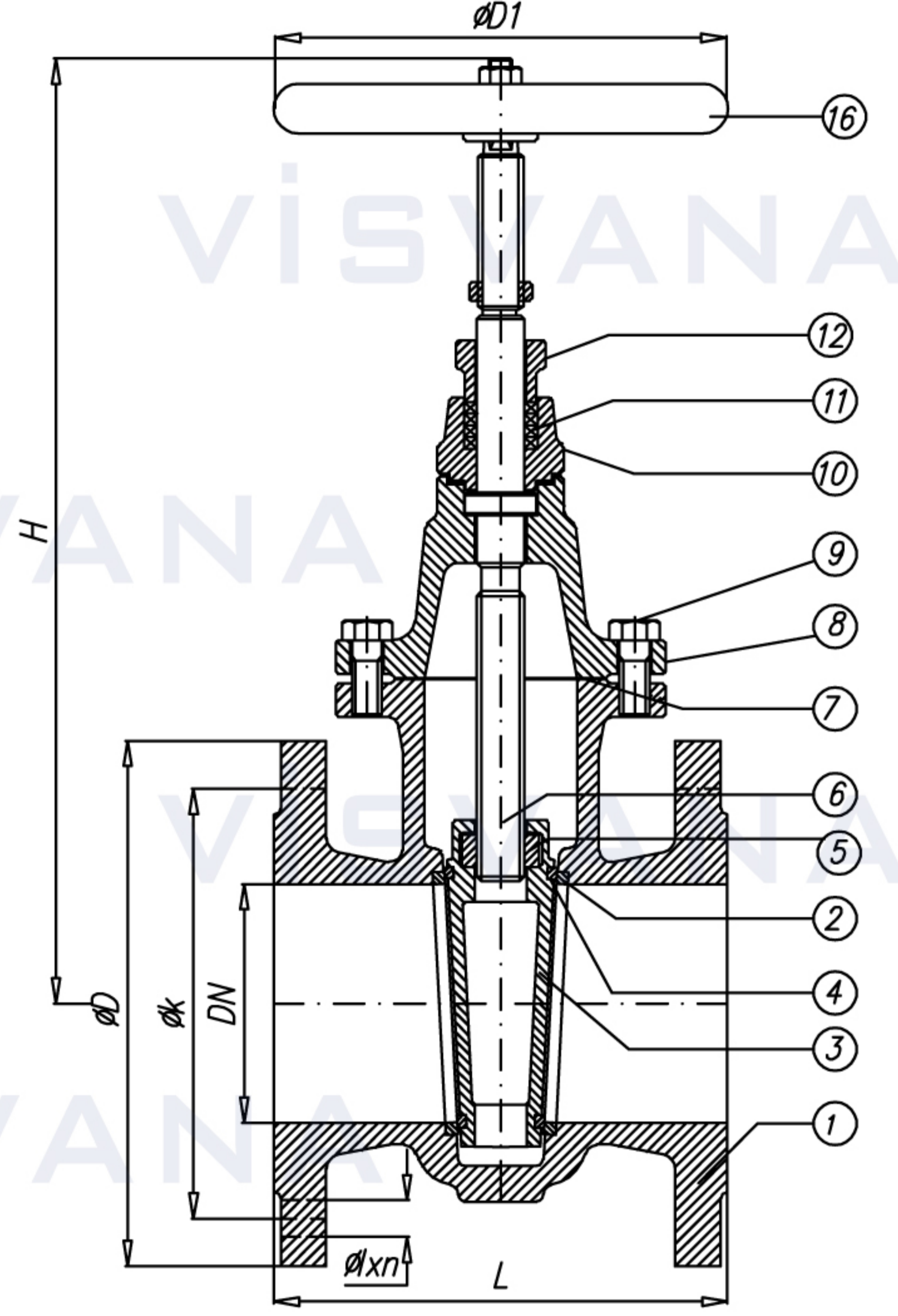
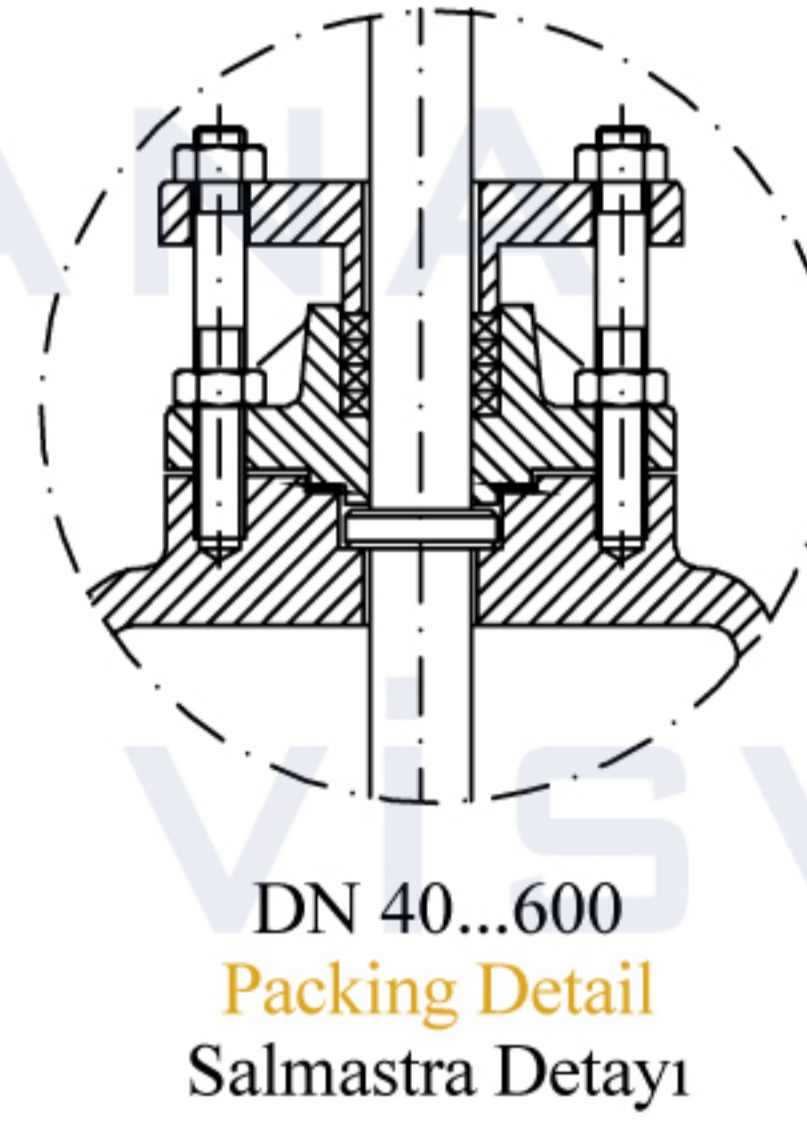
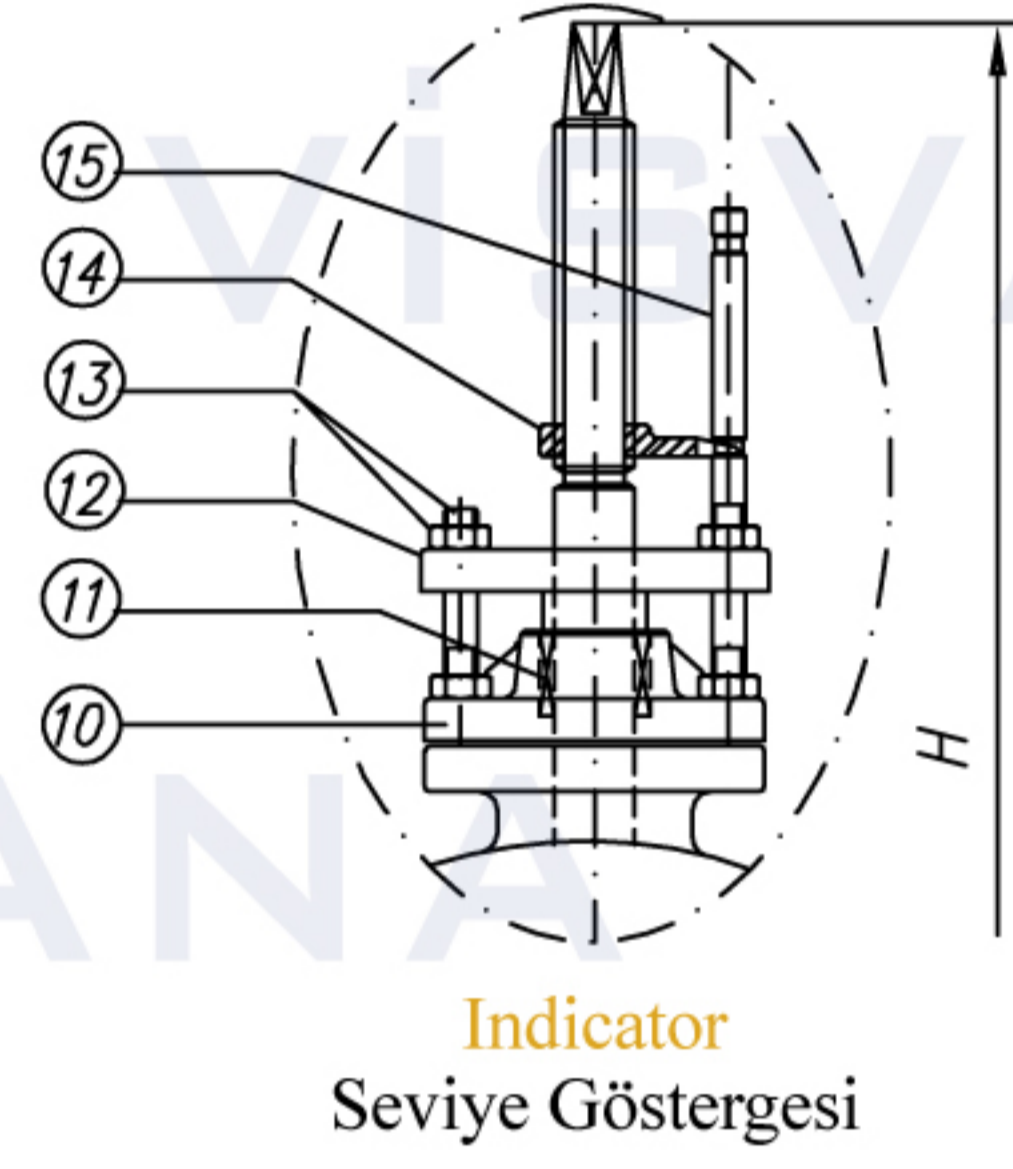
Size Range / Ölçü Aralığı: DN40-DN600

Temperature / Sıcaklık: -10....+120°C

Flange Ends / Flanş: DIN EN 1171

Test: EN 12266

Options : Double threaded stem, drain plug, electrical actuator, pneumatic actuator, linear or multiturn hydraulic actuator, iso top flange for actuator mounting  
Flange options: ANSI, JIS



NO	PART NAME	PARÇA ADI	MATERIAL / MALZEME	NO	PART NAME	PARÇA ADI	MATERIAL / MALZEME
1	Body	Gövde	GG 25 / GGG-40 / GGG40.3 / GSC25 / Bronze RG5, RG7, RG10/ SS304, SS316	9	Bolt	Civata	8.8 / A2 / A4
2	Body seat	Gövde Burcu	Bronze RG5/ SS304, SS316	10	Stuffing Box	Salmastra Yuvası	GG 25 / GGG-40 / GGG40.3 / GSC25 / Bronze RG5, RG7, RG10/ SS304, SS316
3	Wedge	Sürgü	GG 25 / GGG-40 / GGG40.3 / GSC25 / Bronze RG5, RG7, RG10/ SS304, SS316	11	Packing	Salmastra	Graphite / Teflon
4	Wedge seat	Sürgü Burcu	Bronze RG5 / SS304, SS316	12	Gland	Baskı	GG 25 / GGG-40 / GGG40.3 / GSC25 / Bronze RG5, RG7, RG10/ SS304, SS316
5	Stem nut	Sürgü Somunu	Ms58 / Bronze / SS	13	Stud, Nut	Saplama, Somun	Steel / A2 / A4
6	Stem	Mil	Ms58/Som59/CuZn35Ni/CuSn8, CuSn10/SS420,SS304,SS316	14	Indicator	Gösterge	CuSn5ZnPb5-C(Rg-5)
7	Gasket	Conta	EPDM / Klingerit / Graphite	15	Indicator Pin	Gösterge Pimi	Ms 58 / SS420,SS304,SS316
8	Bonnet	Kapak	GG 25 / GGG-40 / GGG40.3 / GSC25 / Bronze RG5, RG7, RG10/ SS304, SS316	16	Handwheel	Volan	GG 25

Nominal Pressure / Anma Basıncı	PN	16-10						10-6			6-4		4-2,5			
Nominal Diameter / Anma Çapı	DN	40	50	65	80	100	125	150	200	250	300	350	400	500	600	
Valve Dimensions / Vana Boyutları	L	140	150	170	180	190	200	210	230	250	270	290	310	350	390	
DIN EN 1171 DIN EN 558-1/14	H	195	235	260	280	310	435	455	580	720	815	925	1030	1285	1450	
DIN EN 3352/2-F4	D1	160			200			250			315		400		500	
Flange Dimensions / Flanş Ölçüleri	D	150	165	185	200	220	250	285	340	395	445	505	565	670	780	
DIN EN 1092 PN10	k	110	125	145	160	180	210	240	295	350	400	460	515	620	725	
	Ølxn	Ø18x4			Ø18x8			Ø22x8			Ø22x12		Ø22x16	Ø26x16	Ø26x20	Ø30x20
Flange Dimensions / Flanş Ölçüleri	D	150	165	185	200	220	250	285	340	400	455	520	580	715	840	
DIN EN 1092 PN16	k	110	125	145	160	180	210	240	295	355	410	470	525	650	770	
	Ølxn	Ø18x4			Ø18x8			Ø22x8			Ø22x12		Ø22x16	Ø26x16	Ø26x20	Ø36x20
Weight / Ağırlık	kg	11	13	18	21	26	41	52	81	120	165	222	280	445	605	