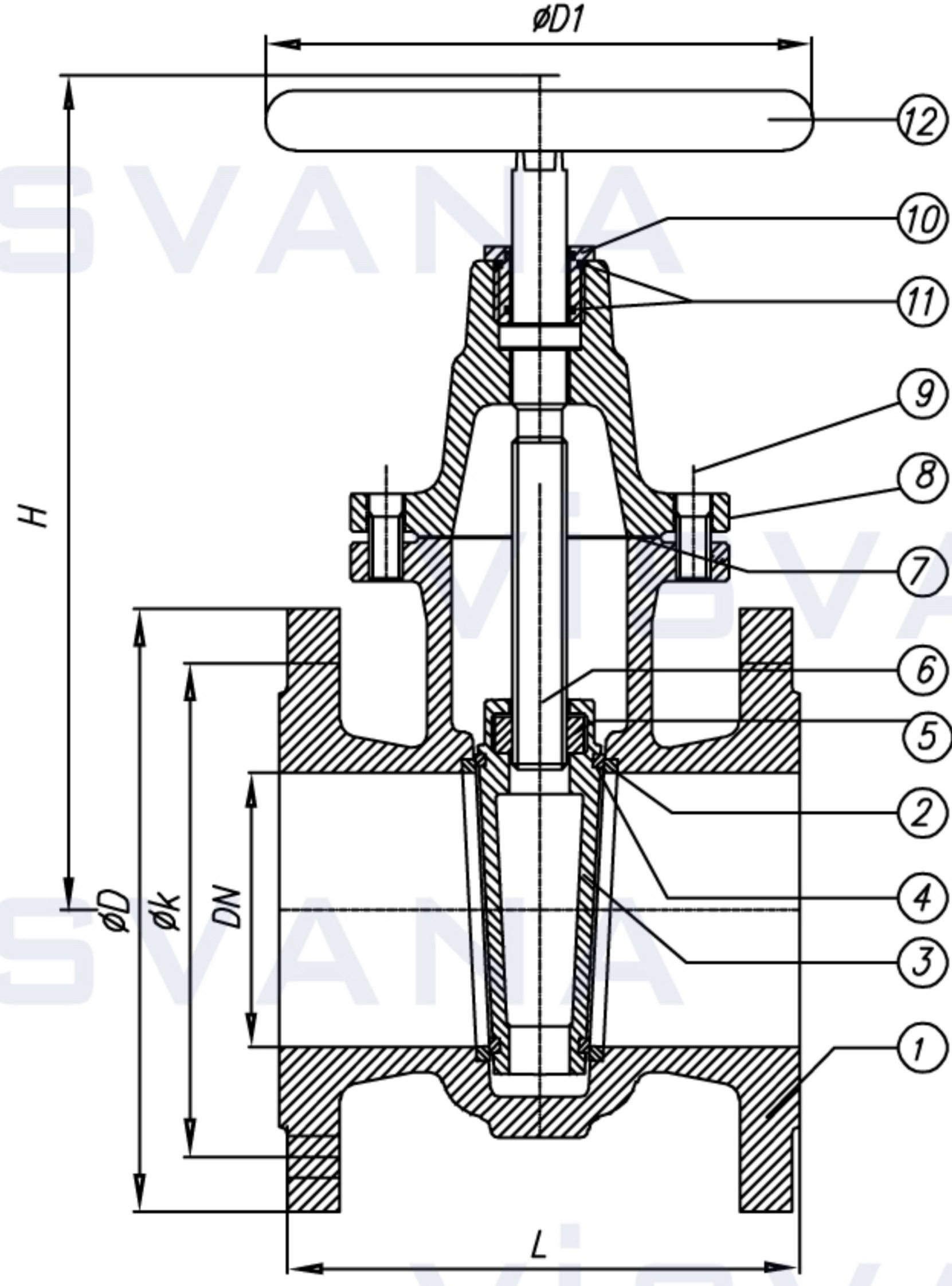


GATE VALVE without gland SÜRGÜLÜ VANA

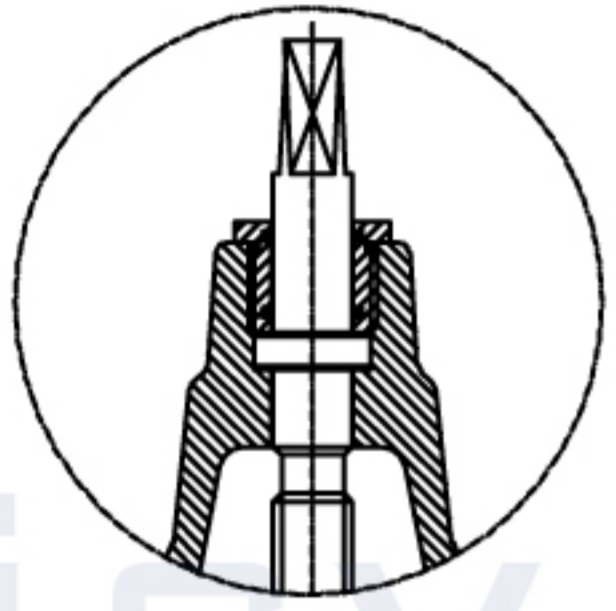
VSV-10



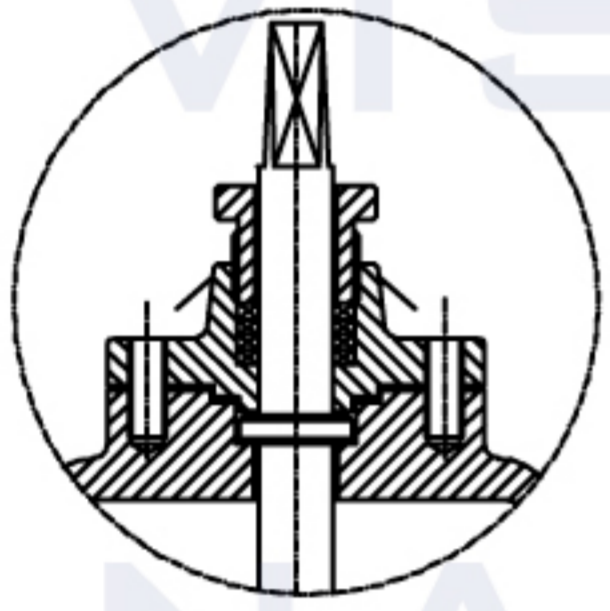
Design / Dizayn: EN 1171
Face to Face / L Boyu: EN 558
Serie 14 (DN3202 F4)
Pressure Rate / Basınç Aralığı: PN10-PN16
Size Range / Ölçü Aralığı: DN40-DN1000
Temperature / Sıcaklık: -10...+120°C
Flange Ends / Flanş: DIN EN 1092-2/B
Test: EN 12266

1

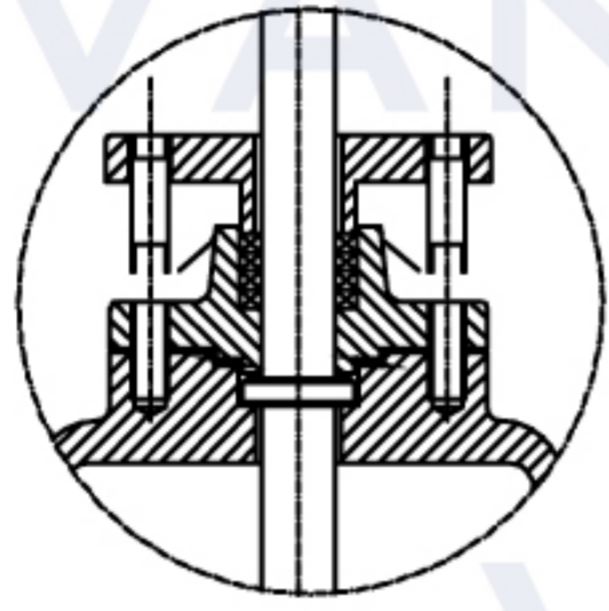
Gate Valves



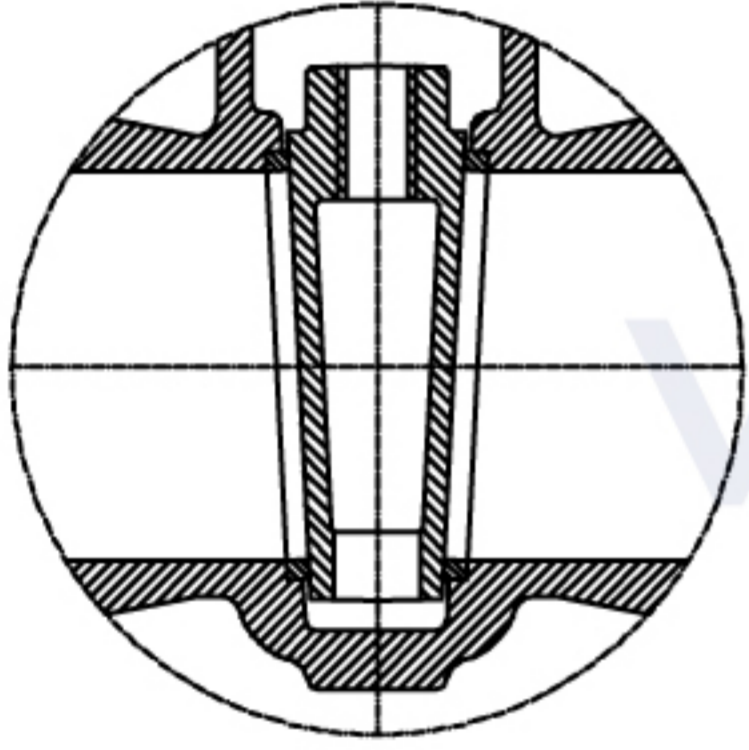
DN40 / DN200
O-Ring Seal
O-Ring Sızdırmazlık



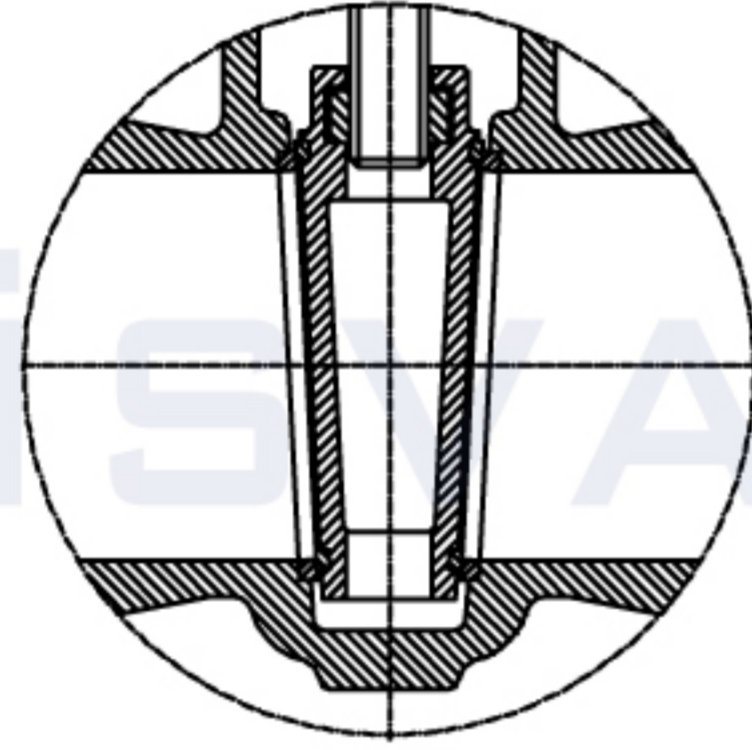
DN250 / DN300
Packing Detail
Salmastra Detayı



DN350 / DN1000
Packing Detail
Salmastra Detayı



Optional: Totally bronze
or stainless steel wedge
Opsiyonel: Komple bronz
veya paslanmaz sürgü



Standard wedge
Standart sürgü

NO	PART NAME	PARÇA ADI	MATERIAL / MALZEME	NO	PART NAME	PARÇA ADI	MATERIAL / MALZEME
1	Body	Gövde	GG 25 / GGG-40 / GGG40.3 / GSC25 / Bronze RG5, RG7, RG10/ SS304, SS316	7	Gasket	Conta	EPDM/ NBR / Klingerit / Graphite
2	Body seat	Gövde Burcu	Ms58 / Bronze / SS304, SS316	8	Bonnet	Kapak	GG 25 / GGG-40 / GGG40.3 / GSC25 / Bronze RG5, RG7, RG10/ SS304, SS316
3	Wedge	Sürgü	GG 25 / GGG-40 / GGG40.3 / GSC25 / Bronze RG5, RG7, RG10/ SS304, SS316	9	Bolt	Civata	8.8 / A2 / A4
4	Wedge seat	Sürgü Burcu	Ms58 / Bronze / SS304, SS316	10	Packing nut	Mil Somunu	Ms 58/Bronze/S.S
5	Stem nut Only 125...900	Sürgü Somunu Sadece 125...900	Bronze /GGG 40	11	O-Ring	O-Ring	EPDM/ NBR
6	Stem	Mil	SS420/Ms58/Som59/CuZn35Ni/ CuSn8,CuSn10/SS304,SS316	12	Handwheel	Volan	GG 20

Nominal Pressure / Anma Basıncı	PN	16-10							10-6			6-4		4-2,5		2,5-1,6		1,6-1		
Nominal Diameter / Anma Çapı	DN	40	50	65	80	100	125	150	200	250	300	350	400	500	600	700	800	900	1000	
Valve Dimensions / Vana Boyutları	L	140	150	170	180	190	200	210	230	250	270	290	310	350	390	430	470	510	550	
TS EN 1171	H	157	190	210	230	260	365	375	500	630	715	820	910	1135	1300	1480	1690	1820	2030	
DIN3352/2-F4	D1	160			200			250			315		400		500		630		800	
Flange Dimensions / Flanş Ölçüleri	D	150	165	185	200	220	250	285	340	395	445	505	565	670	780	895	1015	1115	1230	
EN 1092-2 PN10	k	110	125	145	160	180	210	240	295	350	400	460	515	620	725	840	950	1050	1160	
Flange Dimensions / Flanş Ölçüleri	D	150	165	185	200	220	250	285	340	405	460	520	580	715	840	910	1025	1125	1255	
EN 1092-2 PN16	k	110	125	145	160	180	210	240	295	355	410	470	525	650	770	840	950	1050	1170	
Weight / Ağırlık	kg	8,3	10,2	13,7	15,5	22,1	37	44,2	81	123	176	225	290	460	680	870	1200	1400	1540	